








22 585 671



- 195mm projection
- fixed spout
- rectangular, air-enriched flow
- total height 1038 - 1103 mm
- height up to aerator 970 – 1040 mm
- rosette Ø 135 mm
- max. flow 4.6 l/min
- lead-free
- This product can help a building meet the requirements of Green Building Rating Systems, e.g. LEED®, BREEAM®, DGNB

	Matte Black	22 585 671-33
	Chrome	22 585 671-00
	Brushed Platinum	22 585 671-06
	Dark Chrome	22 585 671-19
	Brushed Light Gold	22 585 671-27
	Brushed Chrome	22 585 671-93
	Brushed Dark Platinum	22 585 671-99

Required miscellaneous



Concealed floor mounting - 35 945 970 90
 ●min. recess depth 80 mm
 ●max. recess depth 150 mm

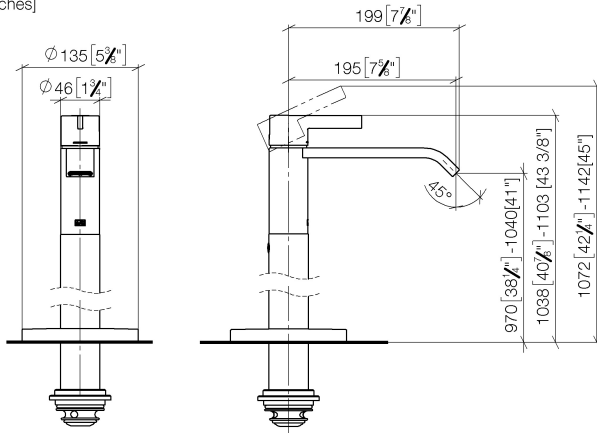
Required miscellaneous



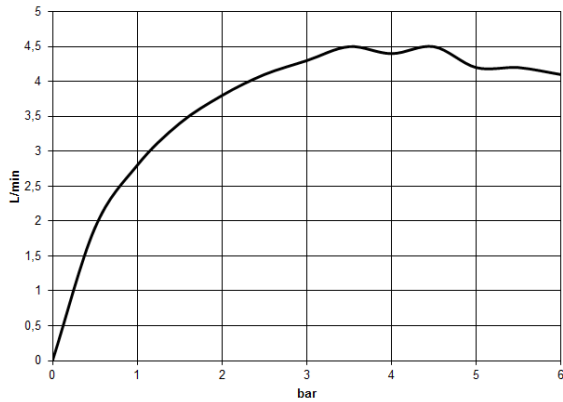
Concealed floor mounting - 35 945 970 90
 ●min. recess depth 80 mm
 ●max. recess depth 150 mm

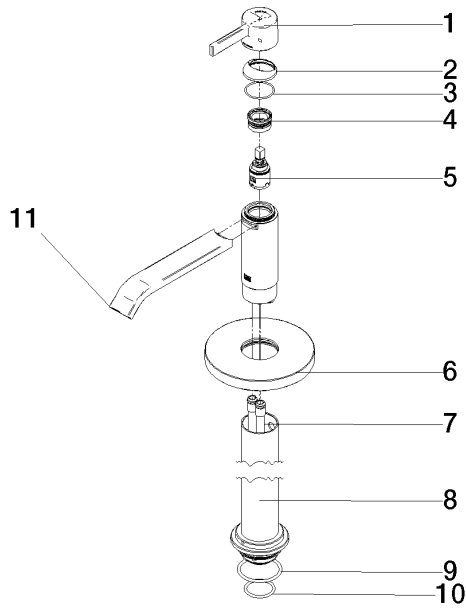
22 585 671

mm [inches]



Flow rate chart







Spare parts list