

**VAIA Single-hole basin mixer with stand pipe without pop-up waste - Brushed Champagne (22kt Gold)**

VAIA

22 585 809



- 202mm projection
- pivotable spout 360°
- circular, air-enriched flow
- total height 1251 - 1321 mm
- height up to aerator 1152 – 1222 mm
- rosette Ø 135 mm
- max. flow 5.7 l/min
- lead-free
- This product can help a building meet the requirements of Green Building Rating Systems, e.g. LEED®, BREEAM®, DGNB
- WRAS 240102001

	Brushed Champagne (22kt Gold)	22 585 809-46
	Chrome	22 585 809-00
	Brushed Platinum	22 585 809-06
	Platinum	22 585 809-08
	Dark Chrome	22 585 809-19
	Brushed Durabronze (23kt Gold)	22 585 809-28
	Brushed Bronze	22 585 809-42
	Champagne (22kt Gold)	22 585 809-47
	Brushed Dark Platinum	22 585 809-99

**Required miscellaneous**



- Concealed floor mounting -**
- max. recess depth 150 mm
  - min. recess depth 80 mm

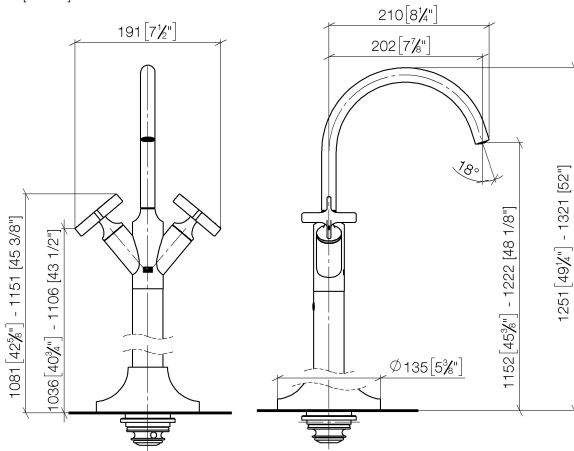
35 945 970 90



VAIA Single-hole basin mixer with stand pipe without pop-up waste - Brushed Champagne (22kt Gold)

VAIA

22 585 809  
mm [inches]



Flow rate chart



Codes & Standards

DIN 4109

ISO 3822

Scottish Water  
Byelaws

UK Water Supply  
Regulations

Ü-Zeichen



VAIA Single-hole basin mixer with stand pipe without pop-up waste - Brushed  
Champagne (22kt Gold)

---

VAIA

22 585 809  
Certificates

---

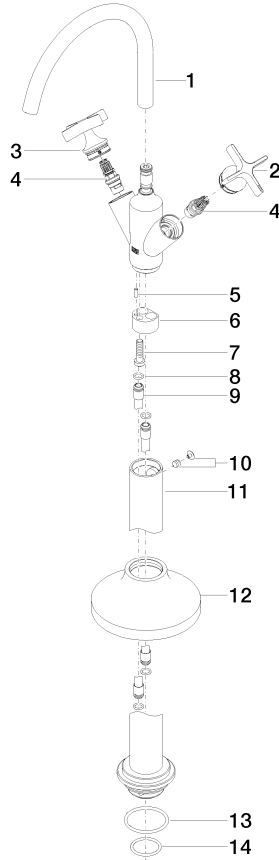
LGA\_38

WRAS\_240102

VAIA Single-hole basin mixer with stand pipe without pop-up waste - Brushed  
Champagne (22kt Gold)

VAIA

22 585 809





VAIA Single-hole basin mixer with stand pipe without pop-up waste - Brushed  
Champagne (22kt Gold)

---

VAIA

22 585 809

**Spare parts list**

No.	Item Number	Name	Quantity used	Delivery time
	90 28 22 313 00-46	spout	19	30