

22 815 892



- 235mm projection
- pivotable spout 360°
- air-enriched flow
- height of mixer 378 mm
- height up to aerator 220 mm
- hole diameter 35 mm
- max. flow 7 l/min at 3 bar flow pressure
- lead-free
- This product can help a building meet the requirements of Green Building Rating Systems, e.g. LEED®, BREEAM®, DGNB
- WRAS 1810003

| | | |
|--|--------------------------------|---------------|
|  | Champagne (22kt Gold) | 22 815 892-47 |
|  | Chrome | 22 815 892-00 |
|  | Brushed Platinum | 22 815 892-06 |
|  | Platinum | 22 815 892-08 |
|  | Durabronze (23kt Gold) | 22 815 892-09 |
|  | Dark Chrome | 22 815 892-19 |
|  | Brushed Durabronze (23kt Gold) | 22 815 892-28 |
|  | Matte Black | 22 815 892-33 |
|  | Brushed Champagne (22kt Gold) | 22 815 892-46 |
|  | Brushed Chrome | 22 815 892-93 |
|  | Brushed Dark Platinum | 22 815 892-99 |

Recommended miscellaneous

Dispenser with rosette - Champagne (22kt Gold)

82 444 970-47



Recommended miscellaneous

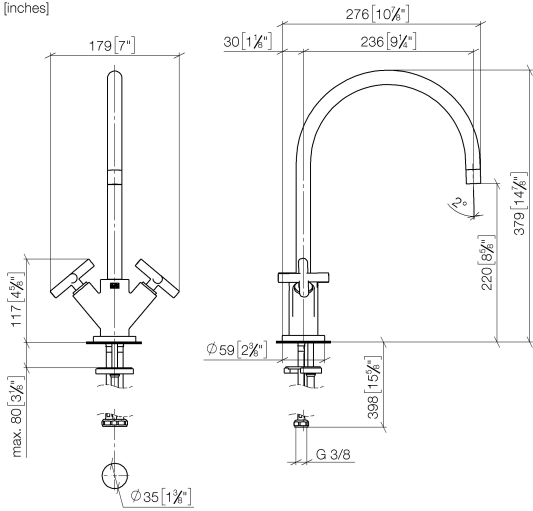
Strainer waste with control handle - Champagne (22kt Gold)

10 710 970-47



22 815 892

mm [inches]



Flow rate chart



Codes & Standards

Executive Order
no. 1007



TARA Single-hole mixer - Champagne (22kt Gold)

TARA

22 815 892

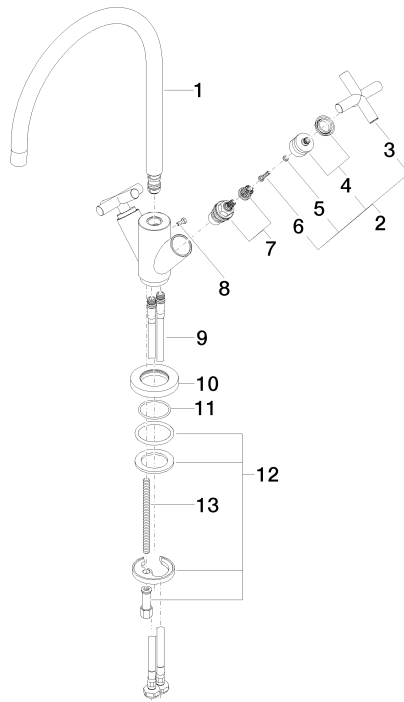
Certificates

GDV_0400

22 815 892

Product version from 5/27/2021

Parts for other finishes can be found here: [Chrome](#)





TARA Single-hole mixer - Champagne (22kt Gold)

TARA

22 815 892

Spare parts list

Product version from 5/27/2021

| No. | Item Number | Name | Quantity used | Delivery time |
|-----|--------------------|-------|---------------|---------------|
| | 90 28 22 226 01-47 | spout | 20 | 30 |