

Single-lever bath mixer with stand pipe for free-standing assembly with hand shower set - Matte Black

TARA

25 863 661



Fits: TARA, META

- spout: circular, air-enriched flow
- max. flow 19.5 l/min at 3 bar flow pressure
- Hand shower: COMPACT RAIN, max. flow rate 6.8 l/min (at 3 bar)
- bar-type hand shower with anti-scale system
- pivotable spout 360°
- 281mm projection
- wall bracket
- automatic bath/shower diverter
- total height 1031 - 1101 mm
- stand pipe height 565 - 635 mm
- height up to aerator 899 – 969 mm
- slide-on rosettes Ø 135 mm
- metal shower hose 1250mm with integrated anti-twist protection
- WRAS 2001027

Intrinsic protection against back flow.

Intrinsic protection against back flow.

	Matte Black	25 863 661-33
	Chrome	25 863 661-00
	Brushed Platinum	25 863 661-06
	Dark Chrome	25 863 661-19
	Light Gold	25 863 661-26
	Brushed Light Gold	25 863 661-27
	Brushed Durabronze (23kt Gold)	25 863 661-28
	Brushed Bronze	25 863 661-42
	Brushed Champagne (22kt Gold)	25 863 661-46
	Champagne (22kt Gold)	25 863 661-47
	Brushed Chrome	25 863 661-93
	Brushed Dark Platinum	25 863 661-99

Required miscellaneous



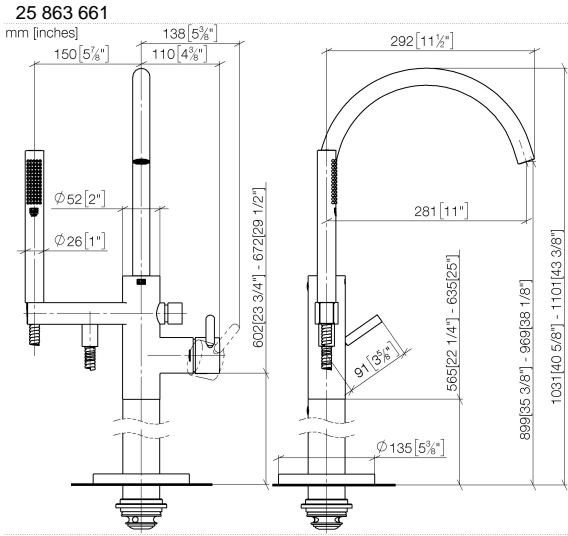
Concealed floor mounting -

35 945 970 90

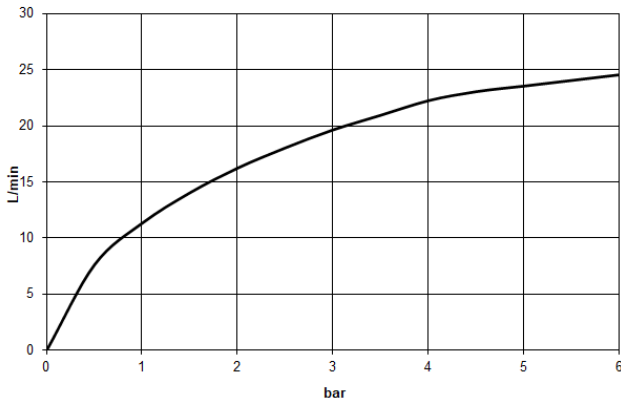
- max. recess depth 150 mm
- min. recess depth 80 mm

Single-lever bath mixer with stand pipe for free-standing assembly with hand shower set - Matte Black

TARA



Flow rate chart



Codes & Standards

ASME A112.18.1

cUPC

DIN 4109

EN 1717

ISO 3822

Scottish Water
Byelaws

UK Water Supply
Regulations

Ü-Zeichen



Single-lever bath mixer with stand pipe for free-standing assembly with hand shower set - Matte Black

TARA

25 863 661

Certificates

Belgaqua_19_77

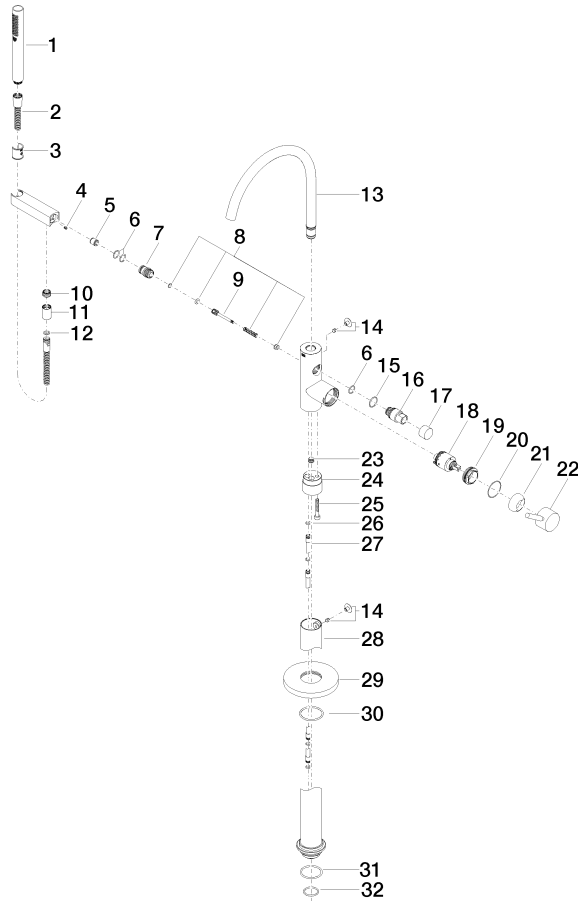
LGA_29

IAPMO_4976

WRAS_2001

25 863 661

Product version from 10/1/2023





Single-lever bath mixer with stand pipe for free-standing assembly with hand shower set - Matte Black

TARA

25 863 661

Spare parts list

Product version from 10/1/2023

No.	Item Number	Name	Quantity used	Delivery time
	90 12 11 140 30-33	shower	37	30