

**TARA Two-hole bath mixer for free-standing assembly with hand shower set -
Brushed Bronze**

TARA

25 943 892



- 220mm projection
- pivotable spout 180°
- Hand shower: COMPACT RAIN, max. flow rate 6.8 l/min (at 3 bar)
- spout: circular, air-enriched flow
- hand shower with anti-scale system
- rotary diverter for bath/shower
- total height 920 mm
- stand pipes height 628 mm
- height up to aerator 765 mm
- slide-on rosettes Ø 90 mm
- gauge 150 mm
- metal shower hose 1250mm with integrated anti-twist protection
- pivotable shower holder on the right foot
- max. flow 22 l/min at 3 bar flow pressure
- WRAS 2212005

Intrinsic protection against back flow.

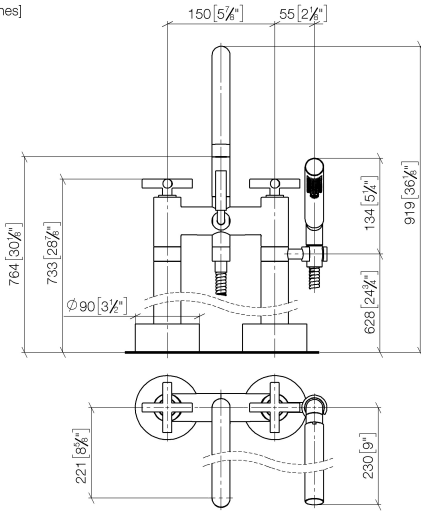
	Brushed Bronze	25 943 892-42
	Chrome	25 943 892-00
	Brushed Platinum	25 943 892-06
	Platinum	25 943 892-08
	Dark Chrome	25 943 892-19
	Brushed Durabronze (23kt Gold)	25 943 892-28
	Matte Black	25 943 892-33
	Brushed Champagne (22kt Gold)	25 943 892-46
	Champagne (22kt Gold)	25 943 892-47
	Brushed Chrome	25 943 892-93
	Brushed Dark Platinum	25 943 892-99



TARA Two-hole bath mixer for free-standing assembly with hand shower set - Brushed Bronze

TARA

25 943 892
mm [inches]



Flow rate chart



Codes & Standards

Scottish Water
Byelaws

UK Water Supply
Regulations



TARA Two-hole bath mixer for free-standing assembly with hand shower set -
Brushed Bronze

TARA

25 943 892

Certificates

WRAS_2212



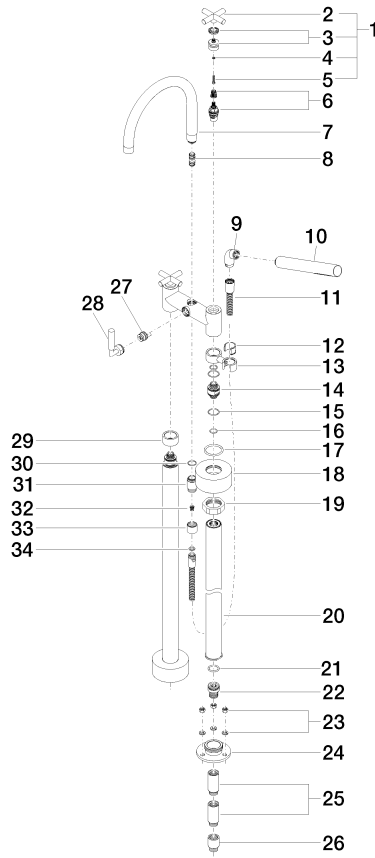
TARA Two-hole bath mixer for free-standing assembly with hand shower set - Brushed Bronze

TARA

25 943 892

Product version from 5/27/2021

Parts for other
finishes can be found
here: [Chrome](#)





TARA Two-hole bath mixer for free-standing assembly with hand shower set -
Brushed Bronze

TARA

25 943 892

Spare parts list

Product version from 5/27/2021

No.	Item Number	Name	Quantity used	Delivery time
	90 20 89 010 10-42	handle	63	30