

**Hand shower set with individual rosettes - Brushed Chrome**

IMO

27 808 980



Fits: IMO, MEM, CL.1, CYO

- COMPACT RAIN, max. flow rate 15 l/min (at 3 bar)
- with anti-scale system
- 3/8" shower outlet
- rosette for wall elbow 60 x 60mm
- rosette for shower holder 60 x 60mm
- metal shower hose 1250mm with integrated anti-twist protection
- 1/2" wall elbow
- WRAS 2209005

Intrinsic protection against back flow.

	Brushed Chrome	27 808 980-93
	Chrome	27 808 980-00
	Chrome	27 808 980-00 0010
	Brushed Platinum	27 808 980-06
	Brushed Platinum	27 808 980-06 0010
	Platinum	27 808 980-08
	Platinum	27 808 980-08 0010
	Dark Chrome	27 808 980-19
	Dark Chrome	27 808 980-19 0010
	Brushed Light Gold	27 808 980-27
	Brushed Light Gold	27 808 980-27 0010
	Brushed Durabrand (23kt Gold)	27 808 980-28 0010
	Brushed Durabrand (23kt Gold)	27 808 980-28
	Matte Black	27 808 980-33
	Matte Black	27 808 980-33 0010
	Brushed Champagne (22kt Gold)	27 808 980-46 0010
	Champagne (22kt Gold)	27 808 980-47 0010
	Brushed Chrome	27 808 980-93 0010
	Brushed Dark Platinum	27 808 980-99
	Brushed Dark Platinum	27 808 980-99 0010

**Recommended miscellaneous**

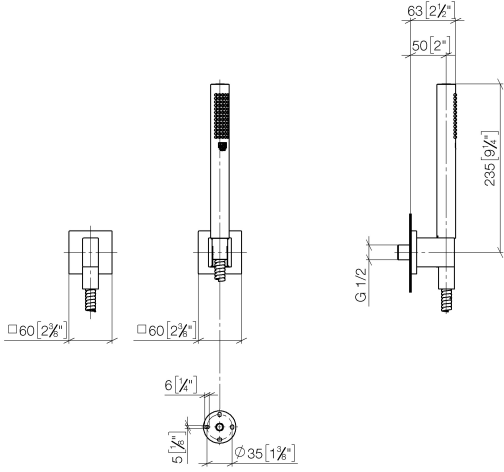


- Concealed wall elbow -**
- max. recess depth 163 mm
  - min. recess depth 90 mm

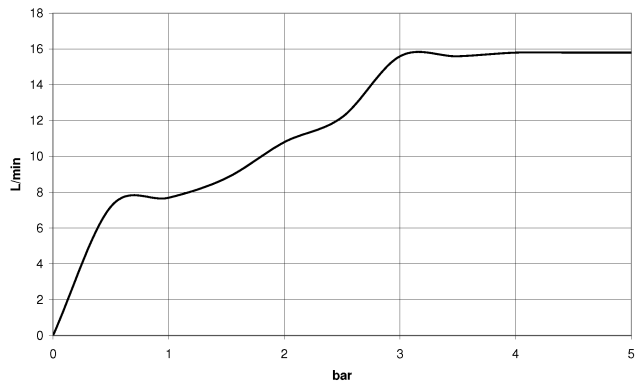
35 085 970 90

27 808 980

mm [inches]



Flow rate chart



Codes & Standards

DIN 4109

EN 1717

ISO 3822

Scottish Water  
Byelaws

UK Water Supply  
Regulations

Ü-Zeichen



# Hand shower set with individual rosettes - Brushed Chrome

IMO

27 808 980

## Certificates

LGA\_29

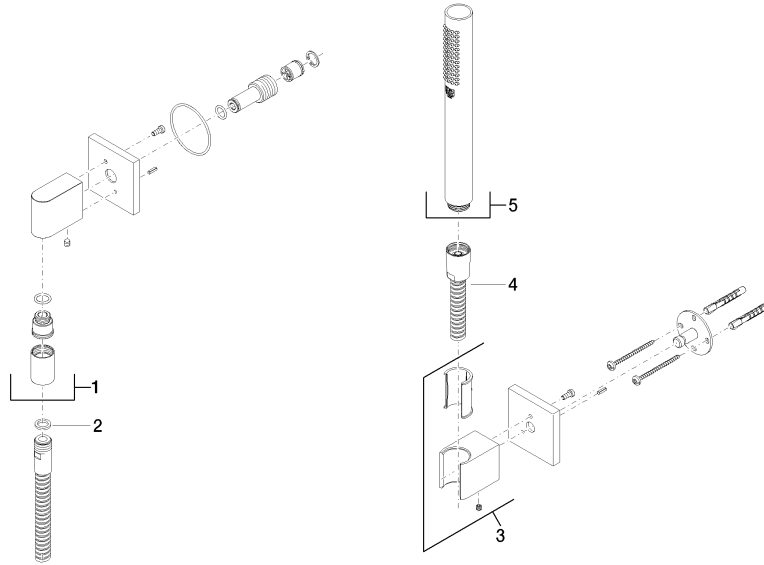
WRAS\_2209

Belgaqua\_22\_280\_2

27 808 980

Product version up to 6/3/2020

**Product version from 6/3/2020**





## Hand shower set with individual rosettes - Brushed Chrome

IMO

27 808 980

### Spare parts list

Product version up to 6/3/2020

#### **Product version from 6/3/2020**

No.	Item Number	Name	Quantity used	Delivery time
	28 450 980-93	Wall elbow - Brushed Chrome	5	10