

**WATER TUBE Kneipp wall elbow with hose holder with individual rosettes -
Brushed Chrome**

IMO

27 821 979



Fits: IMO, MEM, CL.1, CYO

- LAMINAR FLOW, max. flow rate 15 l/min (at 3 bar)
- with volume control
- rosette 60 x 60 mm
- holder for Kneipp hose
- 1/2" wall elbow
- without hose

Intrinsic protection against back flow.

Product change as of 1.4.2023: max. flow 15 l/min

| | | |
|--|-------------------------------------|---------------|
|  | Brushed Chrome | 27 821 979-93 |
|  | Chrome | 27 821 979-00 |
|  | Brushed Platinum | 27 821 979-06 |
|  | Platinum | 27 821 979-08 |
|  | Dark Chrome | 27 821 979-19 |
|  | Brushed Light Gold | 27 821 979-27 |
|  | Brushed Durabronze (23kt Gold) | 27 821 979-28 |
|  | Matte Black | 27 821 979-33 |
|  | Brushed Champagne (22kt Gold) | 27 821 979-46 |
|  | Champagne (22kt Gold) | 27 821 979-47 |
|  | Brushed Dark Platinum | 27 821 979-99 |

WATER TUBE Kneipp wall elbow with hose holder with individual rosettes -
Brushed Chrome

IMO

27 821 979
mm [inches]



Flow rate chart



Codes & Standards

EN 1717



**WATER TUBE Kneipp wall elbow with hose holder with individual rosettes -
Brushed Chrome**

IMO

27 821 979

Certificates

Belgaqua_22_280_2

WATER TUBE Kneipp wall elbow with hose holder with individual rosettes -
Brushed Chrome

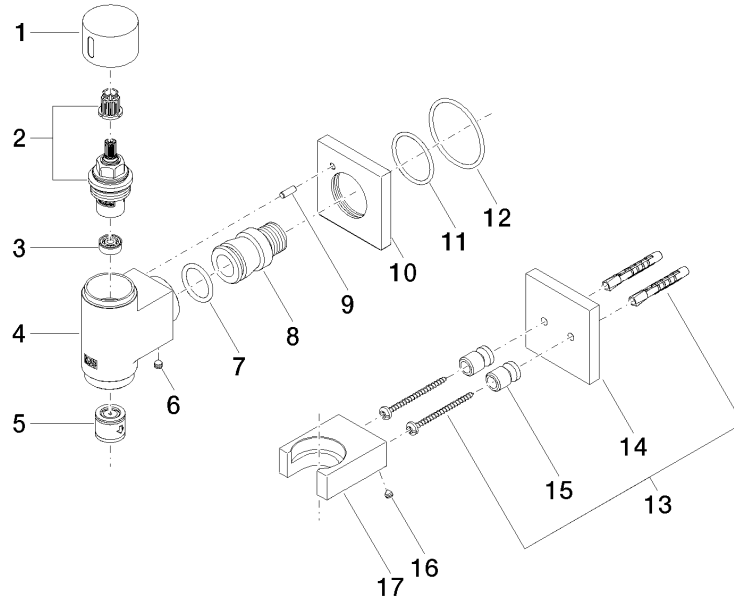
27 821 979

Product version up to 3/12/2018

Product version from 3/12/2018 to 3/6/2023

Product version from 3/6/2023

Parts for other
finishes can be found
here: [Chrome](#)





WATER TUBE Kneipp wall elbow with hose holder with individual rosettes -
Brushed Chrome

IMO

27 821 979

Spare parts list

Product version up to 3/12/2018

Product version from 3/12/2018 to 3/6/2023

Product version from 3/6/2023

| No. | Item Number | Name | Quantity used | Delivery time |
|-----|---------------|------------|---------------|---------------|
| | 28 486 979-93 | connection | 8 | - |

Spare part can no longer be ordered, please order the replacement item
