

Wall elbow - Brushed Chrome

IMO

28 450 980



- 3/8" shower outlet
- rosette 60 x 60 mm
- 1/2" connection
- WRAS 2310091

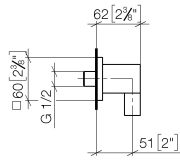
Intrinsic protection against back flow.

Fits: IMO, MEM, CL.1, CYO

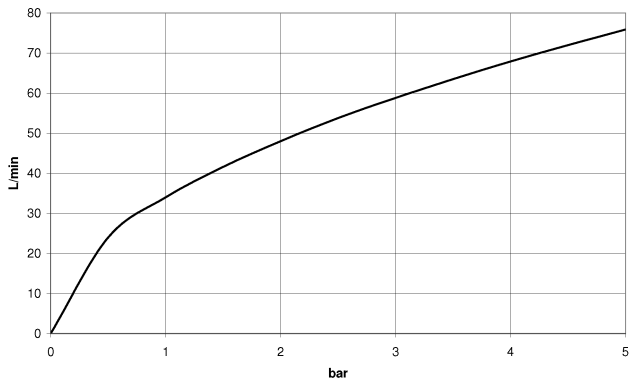
	Brushed Chrome	28 450 980-93
	Chrome	28 450 980-00
	Brushed Platinum	28 450 980-06
	Platinum	28 450 980-08
	Durabronze (23kt Gold)	28 450 980-09
	Dark Chrome	28 450 980-19
	Brushed Light Gold	28 450 980-27
	Brushed Durabronze (23kt Gold)	28 450 980-28
	Matte Black	28 450 980-33
	Brushed Champagne (22kt Gold)	28 450 980-46
	Champagne (22kt Gold)	28 450 980-47
	Brushed Dark Platinum	28 450 980-99

28 450 980

mm [inches]



Flow rate chart



Codes & Standards

ASME A112.18.1

cUPC

EN 1717

Scottish Water
Byelaws

UK Water Supply
Regulations



Wall elbow - Brushed Chrome

IMO

28 450 980

Certificates

IAPMO_4976

WRAS_1807

WRAS_2310

Belgaqua_22_280_2

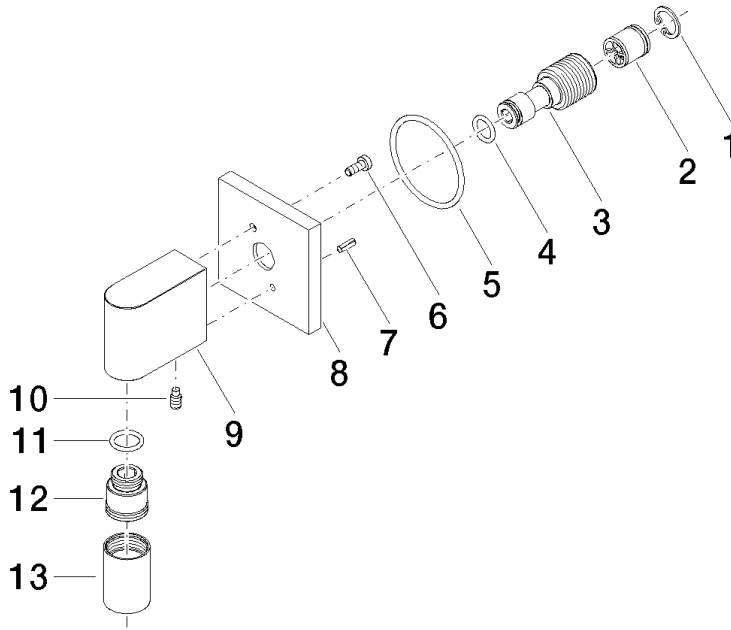
28 450 980

Product version up to 7/6/2018

Product version from 7/6/2018 to 3/2/2021

Product version from 3/2/2021

Parts for other
finishes can be found
here: [Chrome](#)





Wall elbow - Brushed Chrome

IMO

28 450 980

Spare parts list

Product version up to 7/6/2018

Product version from 7/6/2018 to 3/2/2021

Product version from 3/2/2021

No.	Item Number	Name	Quantity used	Delivery time
	09 16 01 014 90	ring	13	2