

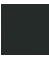




EDITION PRO Rain shower with wall fixing FlowReduce 220 mm - Matte Black

28 648 626



- 450mm projection
- rain flow
- with anti-scale system
- rain shower Ø 220 mm
- rosette Ø 60 mm
- 1/2" connection
- max. flow 7 l/min
- quick clearing
- This product can help a building meet the requirements of Green Building Rating Systems, e.g. LEED®, BREEAM®, DGNB

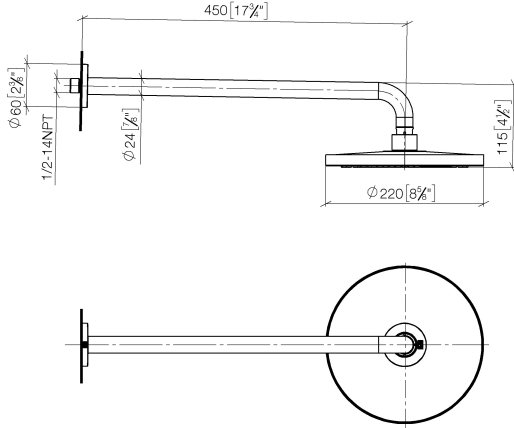
	Matte Black	28 648 626-33
	Chrome	28 648 626-00
	Brushed Chrome	28 648 626-93



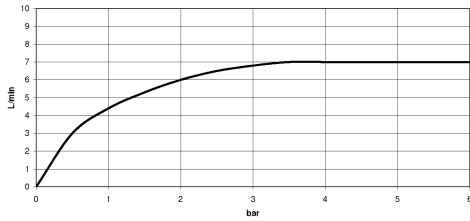
EDITION PRO Rain shower with wall fixing FlowReduce 220 mm - Matte Black

28 648 626

mm [inches]



Flow rate chart



Codes & Standards

DIN 4109

ISO 3822

Ü-Zeichen



EDITION PRO Rain shower with wall fixing FlowReduce 220 mm - Matte Black

28 648 626

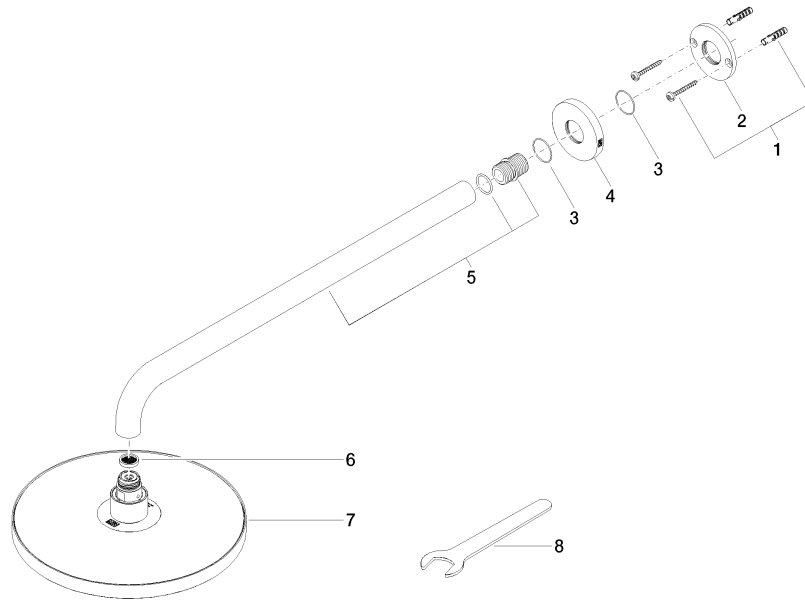
Certificates

LGA_38

EDITION PRO Rain shower with wall fixing FlowReduce 220 mm - Matte Black

28 648 626

Parts for other finishes can be found here: [Chrome](#)





EDITION PRO Rain shower with wall fixing FlowReduce 220 mm - Matte Black

28 648 626

Spare parts list

No.	Item Number	Name	Quantity used	Delivery time
	04 30 31 032 00 90	fixing set	9	2