




EDITION PRO Rain shower with wall fixing 220 mm - Brushed Chrome

28 649 626



- 450mm projection
- rain flow
- with anti-scale system
- rain shower Ø 220 mm
- rosette Ø 60 mm
- 1/2" connection
- max. flow 14 l/min
- quick clearing
- WRAS

	Brushed Chrome	28 649 626-93
	Chrome	28 649 626-00
	Matte Black	28 649 626-33

Required miscellaneous

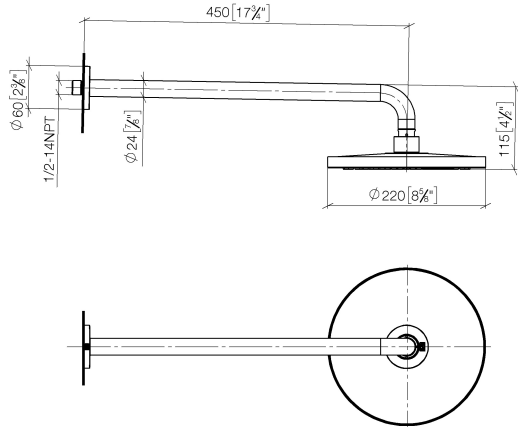


- Concealed wall elbow -** 35 085 970 90
- min. recess depth mm
 - max. recess depth mm

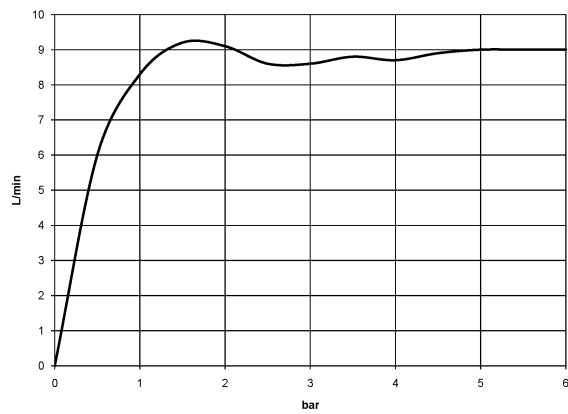
EDITION PRO Rain shower with wall fixing 220 mm - Brushed Chrome

28 649 626

mm [inches]



Flow rate chart



Codes & Standards

DIN 4109

ISO 3822

Scottish Water
Byelaws

UK Water Supply
Regulations

Ü-Zeichen



EDITION PRO Rain shower with wall fixing 220 mm - Brushed Chrome

28 649 626

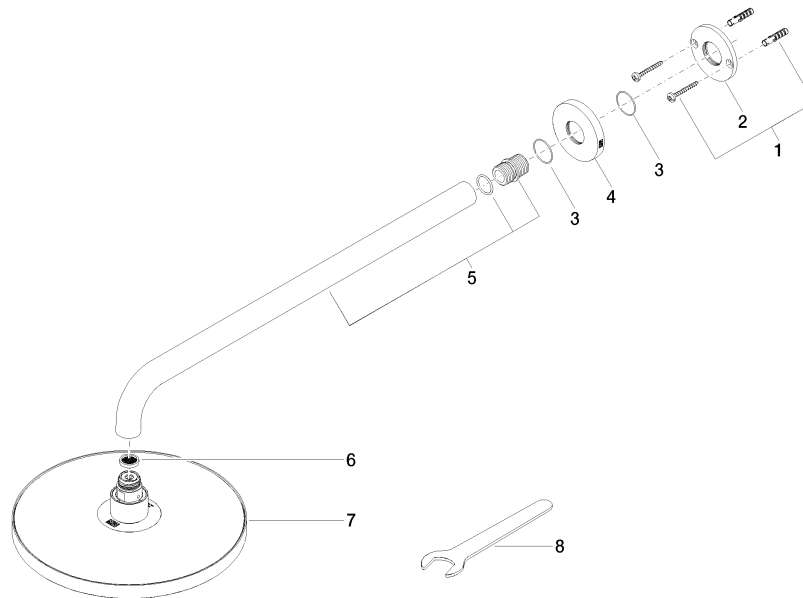
Certificates

WRAS_2212

LGA_38

EDITION PRO Rain shower with wall fixing 220 mm - Brushed Chrome

28 649 626



Spare parts list

No.	Item Number	Name	Quantity used	Delivery time
1	04 30 31 032 00 90	fixing set	1	2
2	09 17 20 120 90	holder	1	2
3	09 14 10 150 90	seal	1	2
4	09 27 97 015-93	rosette	1	20
5	90 11 03 070 00-93	pipe	1	20
6	09 23 01 075 90	insert	1	2
7	04 12 05 092 00-93	shower	1	20
8	90 30 09 069 00 90	key	1	2