

Rain shower with wall fixing FlowReduce 300 mm - Brushed Light Gold

28 678 970



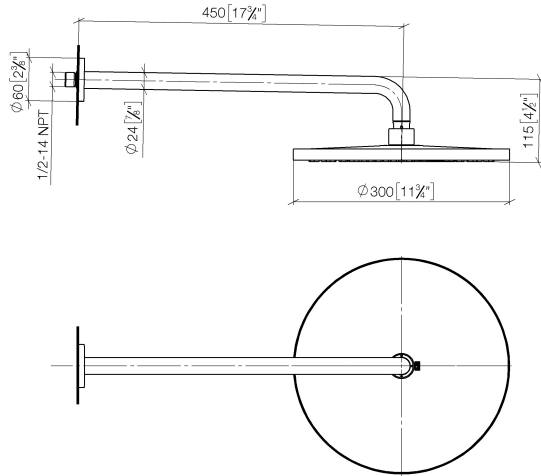
- 450mm projection
- rain shower Ø 300 mm
- PURE RAIN, max. flow rate 9 l/min (at 3 bar)
- Function from: 7 l/min
- rosette Ø 60 mm
- 1/2" connection
- with anti-scale system
- quick clearing
- This product can help a building meet the requirements of Green Building Rating Systems, e.g. LEED®, BREEAM®, DGNB

| | | |
|---|--------------------------------|---------------|
|  | Brushed Light Gold | 28 678 970-27 |
|  | Chrome | 28 678 970-00 |
|  | Brushed Platinum | 28 678 970-06 |
|  | Platinum | 28 678 970-08 |
|  | Dark Chrome | 28 678 970-19 |
|  | Light Gold | 28 678 970-26 |
|  | Brushed Durabronze (23kt Gold) | 28 678 970-28 |
|  | Matte Black | 28 678 970-33 |
|  | Brushed Bronze | 28 678 970-42 |
|  | Brushed Champagne (22kt Gold) | 28 678 970-46 |
|  | Champagne (22kt Gold) | 28 678 970-47 |
|  | Brushed Chrome | 28 678 970-93 |
|  | Brushed Dark Platinum | 28 678 970-99 |

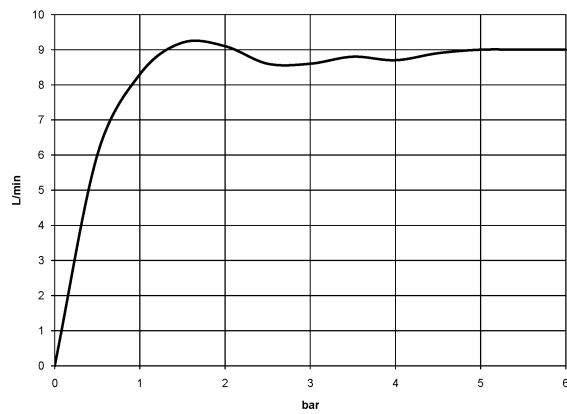
Rain shower with wall fixing FlowReduce 300 mm - Brushed Light Gold

28 678 970

mm [inches]



Flow rate chart



Codes & Standards

DIN 4109

ISO 3822

Ü-Zeichen



Rain shower with wall fixing FlowReduce 300 mm - Brushed Light Gold

28 678 970

Certificates

LGA_29

Rain shower with wall fixing FlowReduce 300 mm - Brushed Light Gold

28 678 970

Parts for other
finishes can be found
here: [Chrome](#)

