

## LULU Rain shower with wall fixing 300 x 240 mm - Brushed Platinum



---

28 786 710 Product version from 3/13/2017



- 450mm projection
- rain shower 300 x 240mm
- PURE RAIN, max. flow rate 20 l/min (at 3 bar)
- Function from: 12 l/min
- rosette 78 x 60 mm
- 1/2" connection
- with anti-scale system
- quick clearing
- WRAS

Product change as of 1st April 2024: max. flow 20l/min

	Brushed Platinum	28 786 710-06
	Chrome	28 786 710-00

### Recommended miscellaneous

---



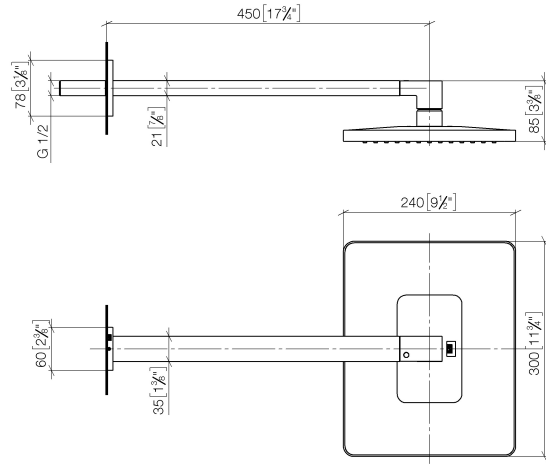
- Concealed wall elbow -**
- max. recess depth mm
  - min. recess depth mm

35 085 970 90

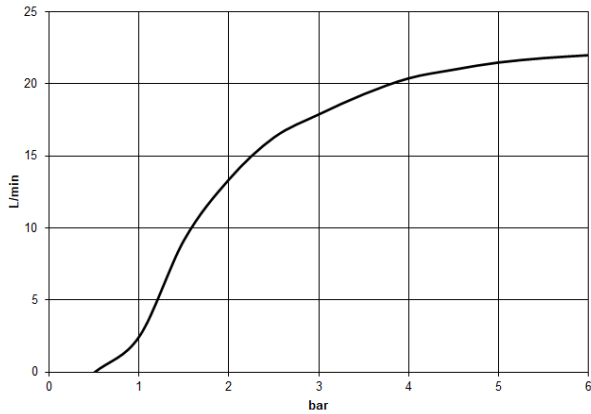
**LULU Rain shower with wall fixing 300 x 240 mm - Brushed Platinum**

28 786 710 Product version from 3/13/2017

mm [inches]



**Flow rate chart**



**Codes & Standards**

DIN 4109

ISO 3822

Scottish Water  
Byelaws

UK Water Supply  
Regulations

**Ü-Zeichen**



## LULU Rain shower with wall fixing 300 x 240 mm - Brushed Platinum

---

28 786 710 Product version from 3/13/2017

### Certificates

---

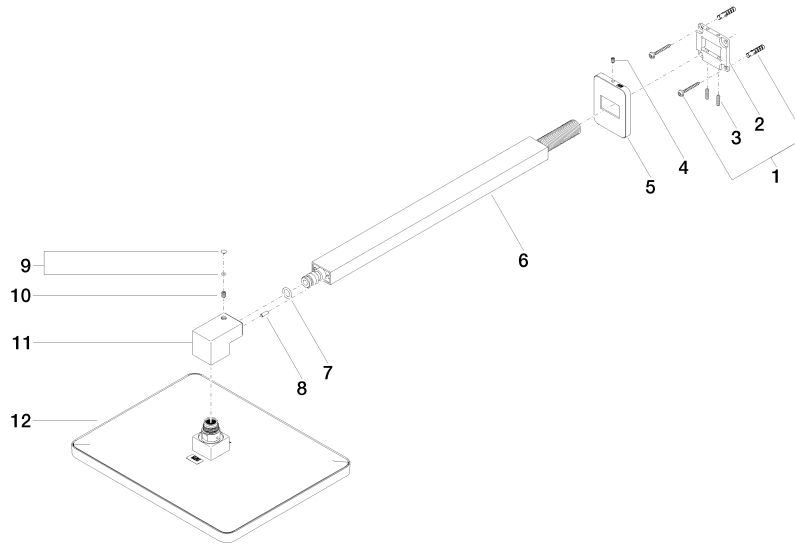
LGA\_29

WRAS\_2212

LGA\_38

**LULU Rain shower with wall fixing 300 x 240 mm - Brushed Platinum**

28 786 710 Product version from 3/13/2017



**Spare parts list**

No.	Item Number	Name	Quantity used	Delivery time
1	04 30 31 032 00 90	fixing set	1	2
2	09 30 11 160 90	disc	1	2
3	09 31 11 084 90	pin	2	2
4	09 31 11 048 90	pin	1	2
5	09 27 71 019-06	rosette	1	10
6	04 28 22 247 20-06	pipe	1	10
7	90 14 10 011 00 90	seal	1	2
8	09 31 11 040 90	pin	1	2
9	90 31 20 087 00-06	plug	1	10
10	09 31 11 036 90	pin	1	2
11	09 17 01 180-06	connection	1	10
12	04 12 05 062 00-06	shower	1	10