

32 815 875



- 241mm projection
- pivotable spout 360°
- Optional swivel limiter available with swivel limiter set 12 820 970 90
- air-enriched flow
- max. flow 8 l/min at 3 bar flow pressure
- lead-free
- This product can help a building meet the requirements of Green Building Rating Systems, e.g. LEED®, BREEAM®, DGNB
- WRAS 240102014

Operating unit can be positioned freely.

	Durabron (23kt Gold)	32 815 875-09
	Chrome	32 815 875-00
	Brushed Platinum	32 815 875-06
	Platinum	32 815 875-08
	Dark Chrome	32 815 875-19
	Brushed Durabron (23kt Gold)	32 815 875-28
	Matte Black	32 815 875-33
	Brushed Champagne (22kt Gold)	32 815 875-46
	Champagne (22kt Gold)	32 815 875-47
	Brushed Chrome	32 815 875-93
	Brushed Dark Platinum	32 815 875-99

Recommended miscellaneous

	Swivel limitation set -	12 820 970 90
--	--------------------------------	---------------

Recommended miscellaneous

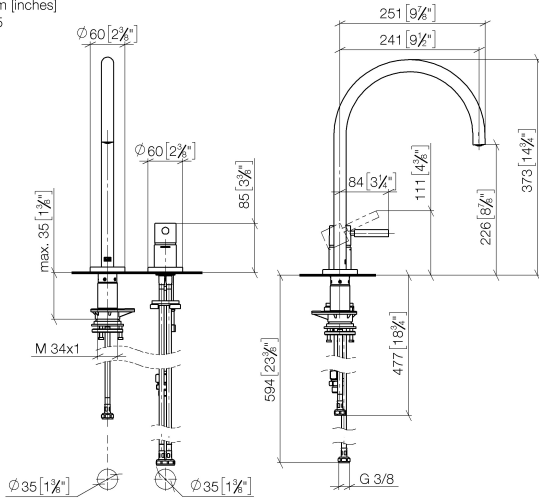
	Strainer waste with control handle - Durabron (23kt Gold)	10 710 970-09
--	--	---------------

Recommended miscellaneous

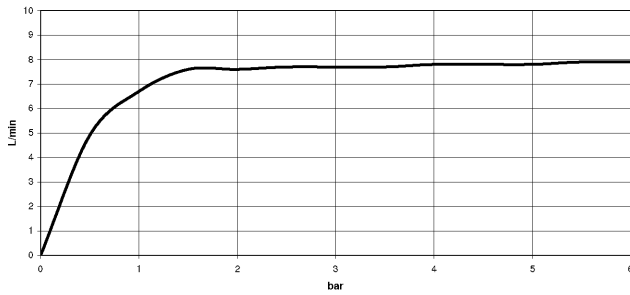
	Dispenser with rosette - Durabron (23kt Gold)	82 444 970-09
--	--	---------------

32 815 875

mm [inches]
1:5



Flow rate chart



Codes & Standards

DIN 4109

ISO 3822

Scottish Water
Byelaws

UK Water Supply
Regulations

Ü-Zeichen



TARA ULTRA Two-hole mixer with individual rosettes - Durabronz (23kt Gold)

TARA ULTRA

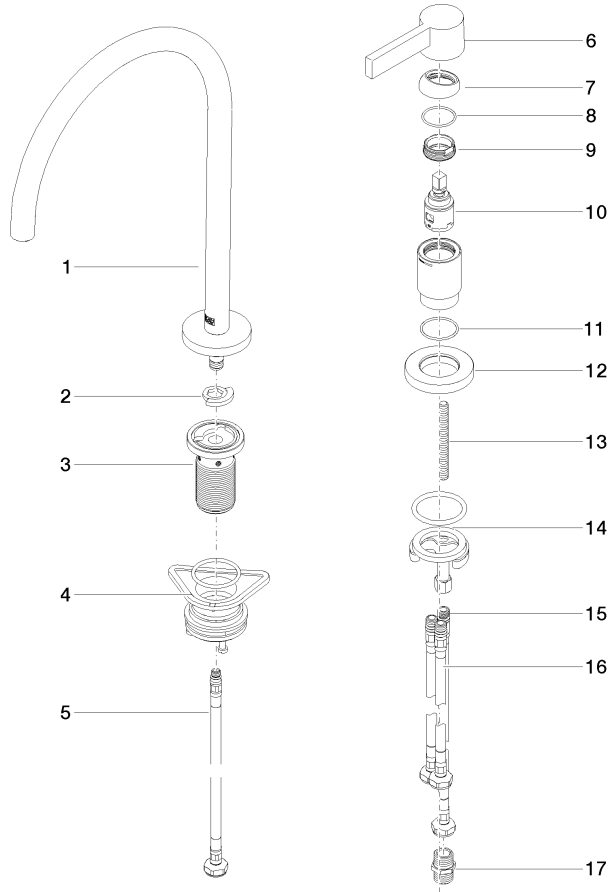
32 815 875

Certificates

WRAS_240102

LGA_38

32 815 875





TARA ULTRA Two-hole mixer with individual rosettes - Durabronss (23kt Gold)

TARA ULTRA

32 815 875

Spare parts list

No.	Item Number	Name	Quantity used	Delivery time
	90 28 22 377 00-09	spout	18	-

Spare part can no longer be ordered, please order the replacement item