

**EDITION PRO Single-lever basin mixer with pop-up waste - Chrome**




---

33 500 626



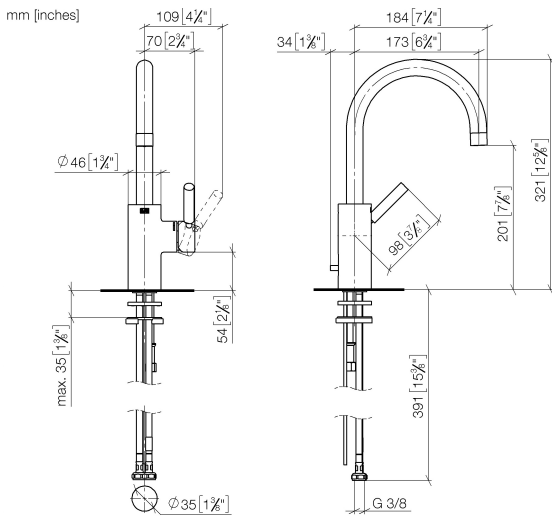
- 173mm projection
- pivotable spout 360°
- circular, air-enriched flow
- height of mixer 321 mm
- height up to aerator 201 mm
- hole diameter 35 mm
- 2x screw-in M 10 x 1 pressure hose, leak-tested
- max. flow 7 l/min
- lead-free
- WRAS

Only suitable for basins with an overflow.

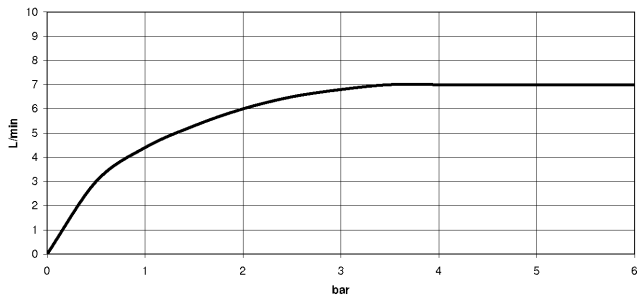
	Chrome	33 500 626-00
	Matte Black	33 500 626-33
	Brushed Chrome	33 500 626-93

**EDITION PRO Single-lever basin mixer with pop-up waste - Chrome**

33 500 626



**Flow rate chart**



**Codes & Standards**

DIN 4109

ISO 3822

Scottish Water  
Byelaws

UK Water Supply  
Regulations

**Ü-Zeichen**



## EDITION PRO Single-lever basin mixer with pop-up waste - Chrome

---

33 500 626

### Certificates

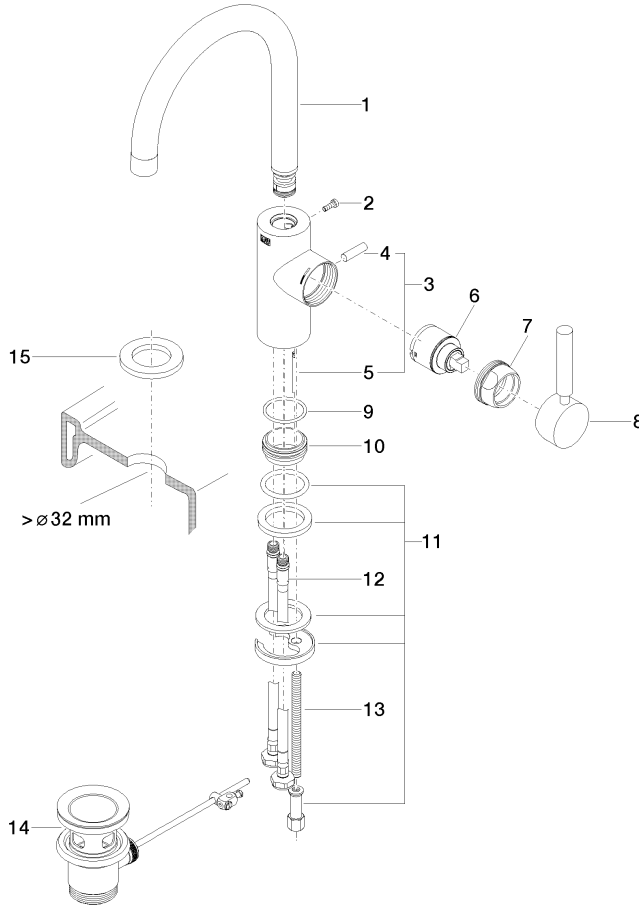
---

WRAS\_2201

LGA\_18

**EDITION PRO Single-lever basin mixer with pop-up waste - Chrome**

33 500 626



**Spare parts list**

No.	Item Number	Name	Quantity used	Delivery time
1	90 28 22 162 02-00	spout	1	10
2	09 30 30 080 90	screw	1	2
3	04 20 62 030 80-00	pull-rod	1	10
4	09 20 62 030-00	handle	1	10
5	09 31 09 080-00	pull-rod	1	10
6	90 15 05 045 00 90	cartridge	1	2
7	09 24 04 107-00	nut	1	10
8	90 20 88 046 00-00	handle	1	10
9	09 14 10 119 90	seal	1	2
11	09 28 10 109-07	ring	2	30
12	04 30 04 104 00 90	hose	2	2
13	09 31 11 012 90	pin	1	2
14	90 11 01 001 00-00	pop-up waste	1	10
15	12 730 970-00	Rosette for tap hole cover - Chrome	1	10