



## EDITION PRO Single-lever basin mixer with pop-up waste - Brushed Chrome




---

33 501 626



- 126mm projection
- fixed spout
- circular, air-enriched flow
- height of mixer 132 mm
- height up to aerator 45 mm
- hole diameter 35 mm
- 2x screw-in M 10 x 1 pressure hose, leak-tested
- max. flow 7 l/min
- lead-free
- WRAS 240502020, 1807097

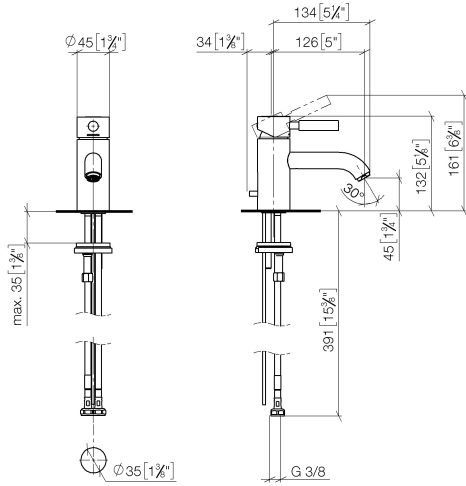
Only suitable for basins with an overflow.

	Brushed Chrome	33 501 626-93
	Chrome	33 501 626-00
	Matte Black	33 501 626-33

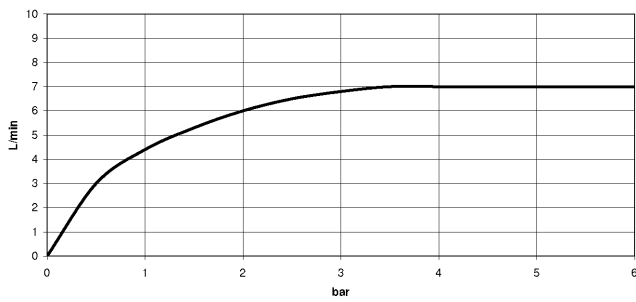
**EDITION PRO Single-lever basin mixer with pop-up waste - Brushed Chrome**

33 501 626

mm [inches]



**Flow rate chart**



**Codes & Standards**

DIN 4109

ISO 3822

Scottish Water  
Byelaws

UK Water Supply  
Regulations

**Ü-Zeichen**



## EDITION PRO Single-lever basin mixer with pop-up waste - Brushed Chrome

---

33 501 626

Certificates

---

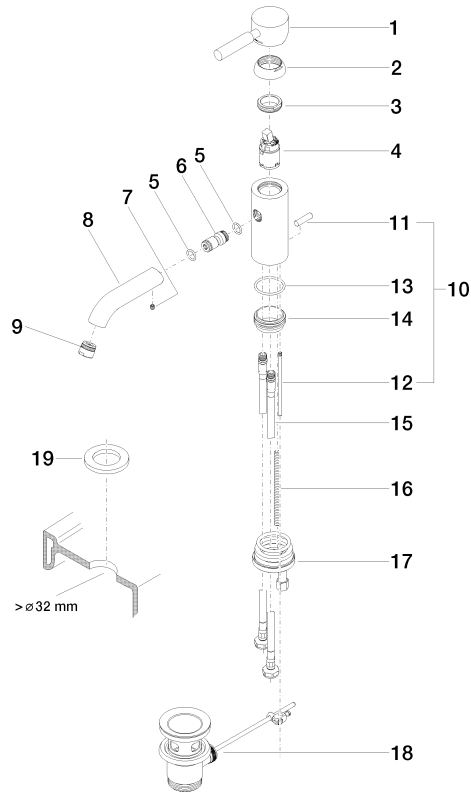
LGA\_9

WRAS\_240502

EDITION PRO Single-lever basin mixer with pop-up waste - Brushed Chrome

33 501 626

Parts for other finishes can be found here: [Chrome](#)





## EDITION PRO Single-lever basin mixer with pop-up waste - Brushed Chrome

---

33 501 626

### Spare parts list

No.	Item Number	Name	Quantity used	Delivery time
	90 20 62 046 00-93	handle	20	20