

33 501 660

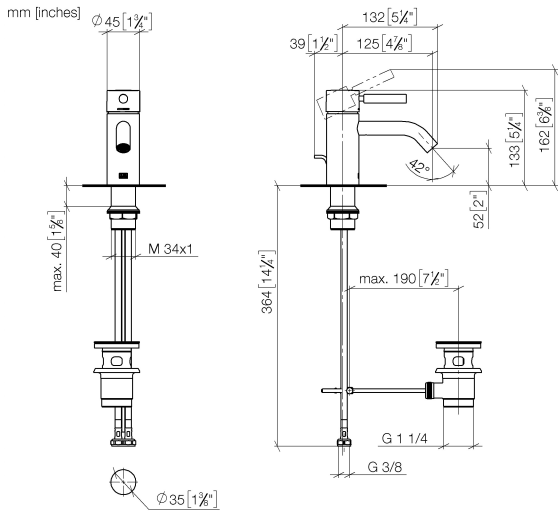


- 125mm projection
- fixed spout
- circular, air-enriched flow
- height of mixer 133 mm
- height up to aerator 52 mm
- hole diameter 35 mm
- 2x screw-in M 8 x 1 pressure hose, leak-tested
- max. flow 5.7 l/min
- lead-free
- This product can help a building meet the requirements of Green Building Rating Systems, e.g. LEED®, BREEAM®, DGNB
- WRAS 2003058

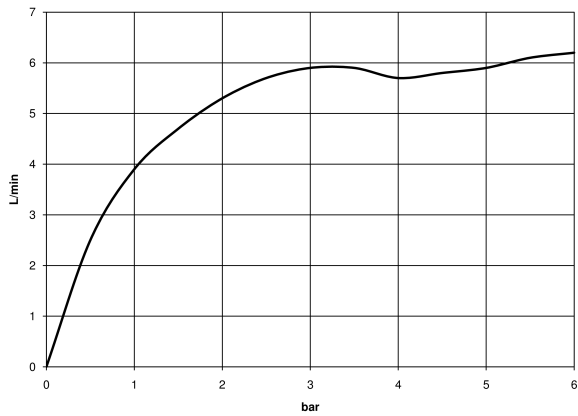
Only suitable for basins with an overflow.

|  |                               |               |
|--|-------------------------------|---------------|
|    | Brushed Light Gold            | 33 501 660-27 |
|    | Chrome                        | 33 501 660-00 |
|    | Brushed Platinum              | 33 501 660-06 |
|    | Dark Chrome                   | 33 501 660-19 |
|    | Light Gold                    | 33 501 660-26 |
|    | Matte Black                   | 33 501 660-33 |
|    | Brushed Bronze                | 33 501 660-42 |
|    | Brushed Champagne (22kt Gold) | 33 501 660-46 |
|   | Champagne (22kt Gold)         | 33 501 660-47 |
|  | Brushed Chrome                | 33 501 660-93 |
|  | Brushed Dark Platinum         | 33 501 660-99 |

33 501 660



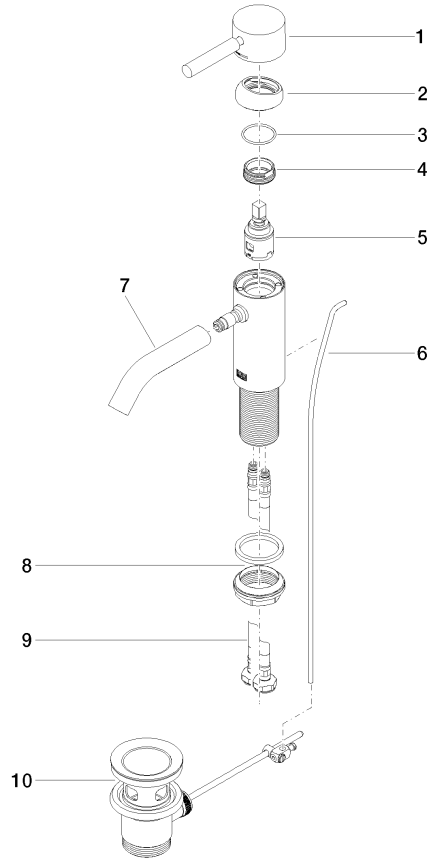
Flow rate chart



33 501 660

**Product version from 1/23/2020**

Parts for other finishes can be found here: [Chrome](#)





33 501 660

## **Spare parts list**

**Product version from 1/23/2020**