






EDITION PRO GRANDE Single-lever basin mixer with pop-up waste - Brushed Chrome

33 502 626



- 130mm projection
- fixed spout
- circular, air-enriched flow
- height of mixer 142 mm
- height up to aerator 52 mm
- hole diameter 35 mm
- 2x screw-in M 10 x 1 pressure hose, leak-tested
- max. flow 7 l/min
- lead-free
- WRAS 1805123

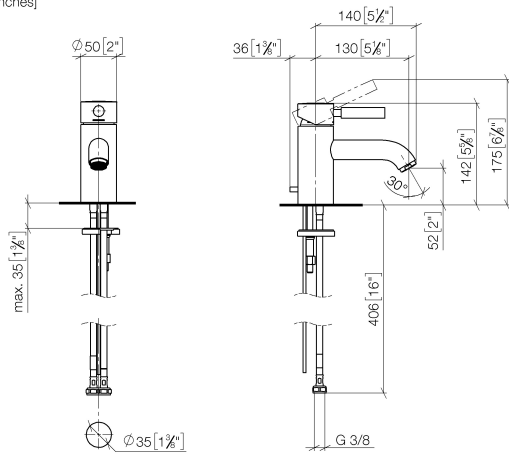
Only suitable for basins with an overflow.

	Brushed Chrome	33 502 626-93
	Chrome	33 502 626-00
	Matte Black	33 502 626-33

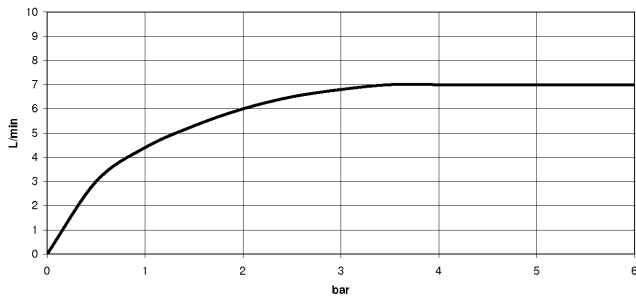


EDITION PRO GRANDE Single-lever basin mixer with pop-up waste - Brushed Chrome

33 502 626
mm [inches]



Flow rate chart



Codes & Standards

DIN 4109

ISO 3822

Scottish Water
Byelaws

UK Water Supply
Regulations

Ü-Zeichen



EDITION PRO GRANDE Single-lever basin mixer with pop-up waste - Brushed Chrome

33 502 626

Certificates

LGA_9

WRAS_1805

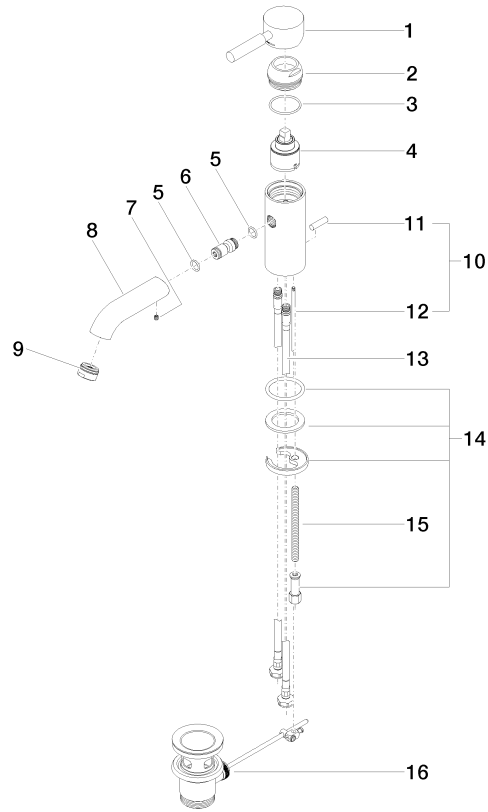
WRAS_240602



EDITION PRO GRANDE Single-lever basin mixer with pop-up waste - Brushed Chrome

33 502 626

Parts for other finishes can be found here: [Chrome](#)





EDITION PRO GRANDE Single-lever basin mixer with pop-up waste - Brushed Chrome

33 502 626

Spare parts list

No.	Item Number	Name	Quantity used	Delivery time
	90 20 62 047 00-93	handle	17	20