

33 505 811





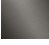


- 177mm projection
- fixed spout
- rectangular, air-enriched flow
- height of mixer 198 mm
- height up to aerator 133 mm
- hole diameter 35 mm
- 2x screw-in M 8 x 1 pressure hose, leak-tested
- max. flow 4.5 l/min
- lead-free
- This product can help a building meet the requirements of Green Building Rating Systems, e.g. LEED®, BREEAM®, DGNB
- WRAS 2111040

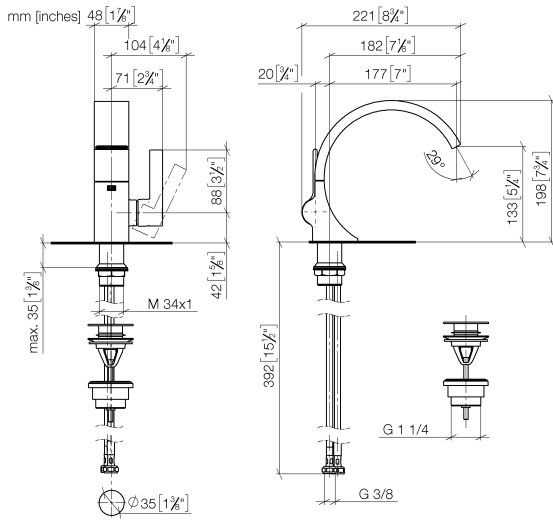
Only suitable for basins with an overflow.

Must not be combined with continuous-flow heaters heaters.

Distance from centre of tap hole to wall min. 55 mm  
or to front edge of basin min. 40 mm.

	Brushed Platinum	33 505 811-06
	Chrome	33 505 811-00
	Dark Chrome	33 505 811-19
	Brushed Durabronze (23kt Gold)	33 505 811-28
	Brushed Dark Platinum	33 505 811-99

33 505 811



**Flow rate chart**



**Codes & Standards**

DIN 4109

Executive Order  
no. 1007

ISO 3822

Scottish Water  
Byelaws

UK Water Supply  
Regulations

Ü-Zeichen



CYO Single-lever basin mixer with pop-up waste - Brushed Platinum

CYO

33 505 811

Certificates

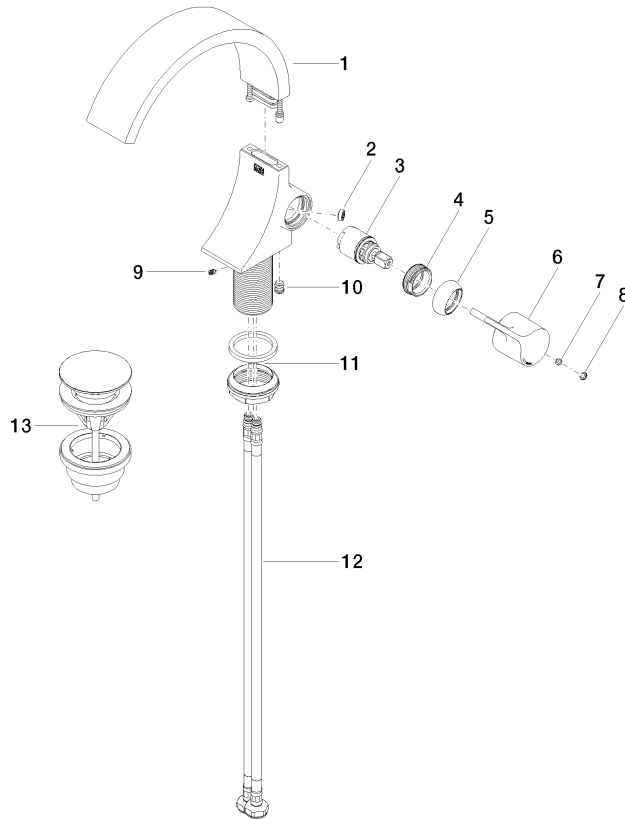
WRAS\_2111

LGA\_38

GDV\_0400

33 505 811

Parts for other  
finishes can be found  
here: [Chrome](#)





# CYO Single-lever basin mixer with pop-up waste - Brushed Platinum

CYO

33 505 811

## Spare parts list

No.	Item Number	Name	Quantity used	Delivery time
	90 11 70 013 01-06	spout	14	10