






CYO Single-lever basin mixer with pop-up waste - Brushed Durabronz (23kt Gold)

CYO

33 505 811



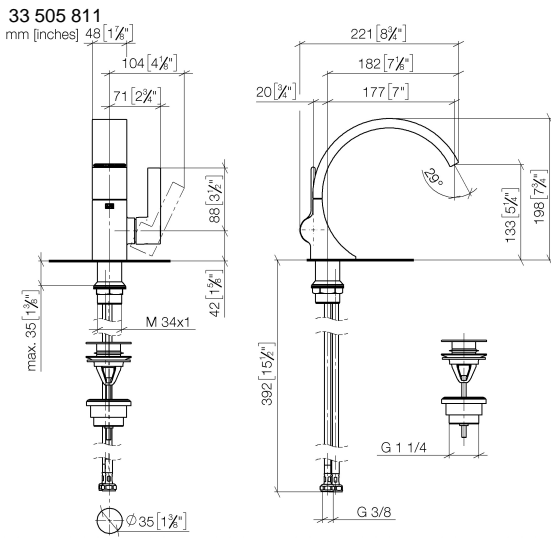
- 177mm projection
- fixed spout
- rectangular, air-enriched flow
- height of mixer 198 mm
- height up to aerator 133 mm
- hole diameter 35 mm
- 2x screw-in M 8 x 1 pressure hose, leak-tested
- max. flow 4.5 l/min
- lead-free
- This product can help a building meet the requirements of Green Building Rating Systems, e.g. LEED®, BREEAM®, DGNB
- WRAS 2111040

	Brushed Durabronz (23kt Gold)	33 505 811-28
	Chrome	33 505 811-00
	Brushed Platinum	33 505 811-06
	Dark Chrome	33 505 811-19
	Brushed Dark Platinum	33 505 811-99

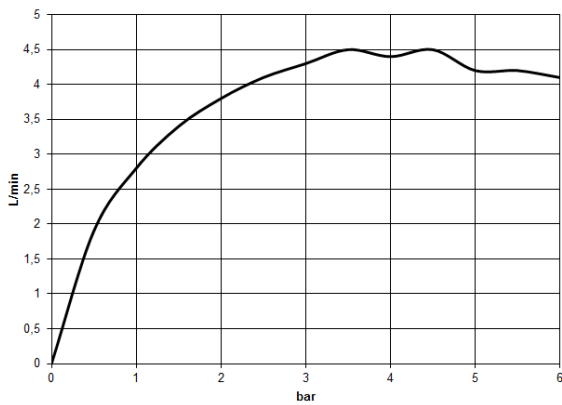
Only suitable for basins with an overflow.

Must not be combined with continuous-flow heaters heaters.

Distance from centre of tap hole to wall min. 55 mm or to front edge of basin min. 40 mm.



Flow rate chart



Codes & Standards

DIN 4109

Executive Order
no. 1007

ISO 3822

Scottish Water
Byelaws

UK Water Supply
Regulations

Ü-Zeichen



CYO Single-lever basin mixer with pop-up waste - Brushed Durabronz (23kt Gold)

CYO

33 505 811
Certificates

WRAS_2111

LGA_38

GDV_0400

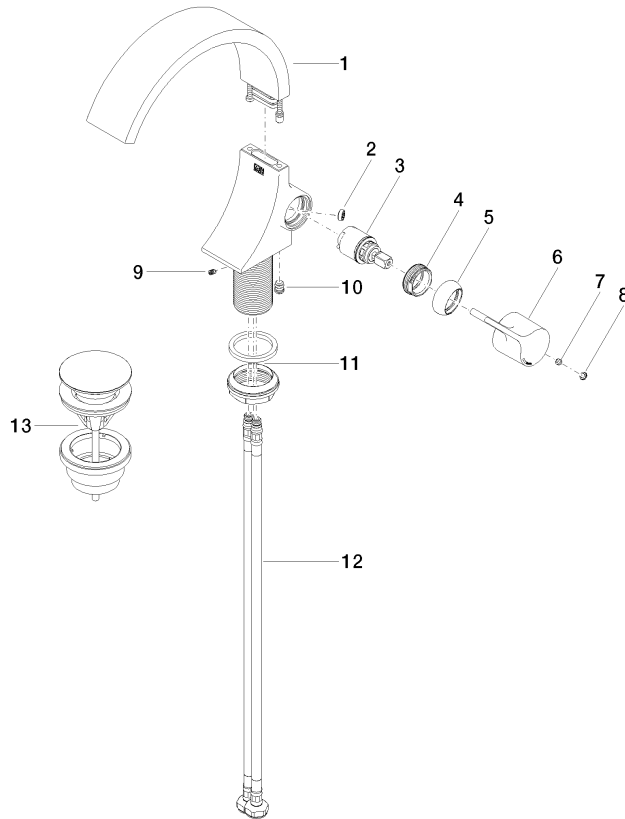


CYO Single-lever basin mixer with pop-up waste - Brushed Durabronz (23kt Gold)

CYO

33 505 811

Parts for other finishes can be found here: [Chrome](#)





CYO Single-lever basin mixer with pop-up waste - Brushed Durabronz (23kt Gold)

CYO

33 505 811

Spare parts list

No.	Item Number	Name	Quantity used	Delivery time
	90 11 70 013 01-28	spout	14	20