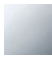




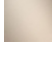



33 513 882

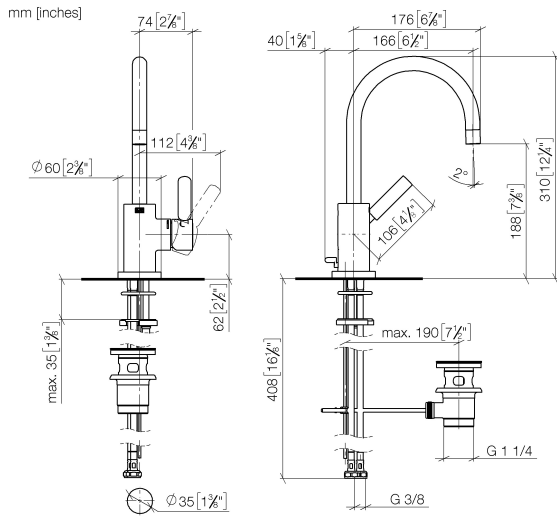


- 166mm projection
- pivotable spout 360°
- circular, air-enriched flow
- height of mixer 310 mm
- height up to aerator 188 mm
- hole diameter 35 mm
- 2x screw-in M 8 x 1 pressure hose, leak-tested
- max. flow 5.7 l/min
- lead-free
- This product can help a building meet the requirements of Green Building Rating Systems, e.g. LEED®, BREEAM®, DGNB
- WRAS 2212025

Only suitable for basins with an overflow.

|  |                                |               |
|--|--------------------------------|---------------|
|   | Chrome                         | 33 513 882-00 |
|   | Brushed Platinum               | 33 513 882-06 |
|   | Platinum                       | 33 513 882-08 |
|   | Dark Chrome                    | 33 513 882-19 |
|   | Brushed Durabronze (23kt Gold) | 33 513 882-28 |
|   | Matte Black                    | 33 513 882-33 |
|   | Brushed Champagne (22kt Gold)  | 33 513 882-46 |
|   | Champagne (22kt Gold)          | 33 513 882-47 |
|   | Brushed Chrome                 | 33 513 882-93 |
|  | Brushed Dark Platinum          | 33 513 882-99 |

33 513 882



Flow rate chart

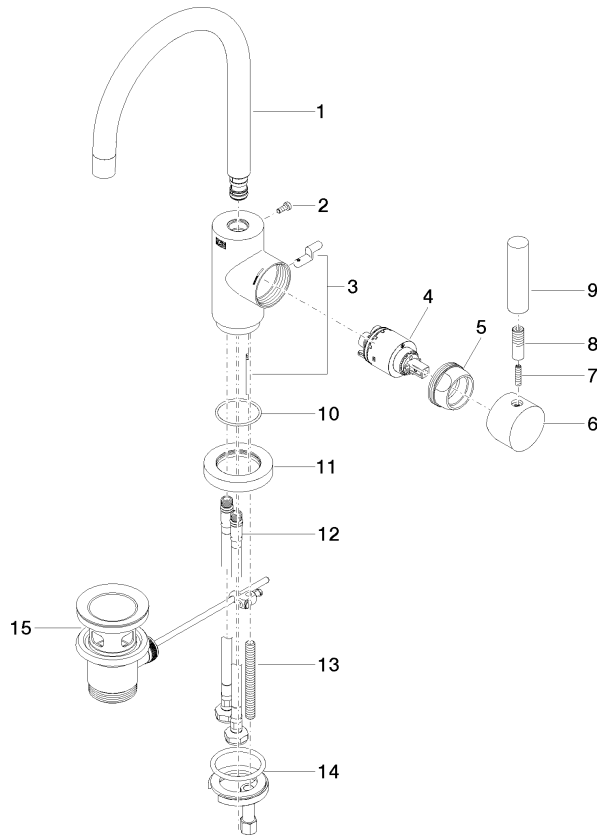


Certificates

LGA\_38418.

WRAS\_2212025.

33 513 882



### Spare parts list

| No. | Item Number        | Name         | Quantity used | Delivery time |
|-----|--------------------|--------------|---------------|---------------|
| 1   | 90 28 22 372 00-00 | spout        | 1             | 10            |
| 2   | 09 30 30 054 90    | screw        | 1             | 2             |
| 3   | 04 20 16 031 80-00 | pull-rod     | 1             | 10            |
| 4   | 90 15 05 065 00 90 | cartridge    | 1             | 2             |
| 5   | 09 24 04 107-00    | nut          | 1             | 10            |
| 6   | 90 20 88 040 00-00 | handle       | 1             | 10            |
| 7   | 09 31 11 010 90    | pin          | 1             | 2             |
| 8   | 90 24 04 048 00-00 | nipple       | 1             | 10            |
| 9   | 11 170 880-00      | handle       | 1             | 10            |
| 10  | 09 14 10 034 90    | seal         | 1             | 2             |
| 11  | 09 28 10 055-00    | rosette      | 1             | 10            |
| 12  | 04 30 04 104 00 90 | hose         | 2             | 2             |
| 13  | 09 31 11 011 90    | pin          | 1             | 2             |
| 14  | 04 30 11 038 00 90 | fixing set   | 1             | 2             |
| 15  | 90 11 01 001 00-00 | pop-up waste | 1             | 10            |