




33 521 670

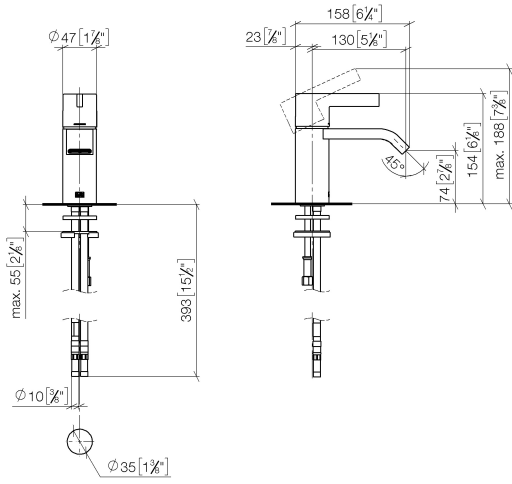


- 130mm projection
- fixed spout
- rectangular, air-enriched flow
- height of mixer 154 mm
- height up to aerator 80 mm
- hole diameter 35 mm
- 2x screw-in M 10 x 1 pressure hose, leak-tested
- max. flow 7 l/min
- lead-free
- This product can help a building meet the requirements of Green Building Rating Systems, e.g. LEED®, BREEAM®, DGNB
- WRAS 240202005

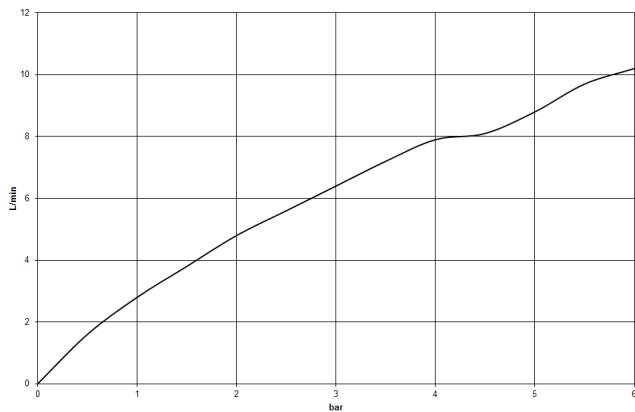
	Brushed Chrome	33 521 670-93
	Chrome	33 521 670-00
	Brushed Platinum	33 521 670-06

33 521 670

mm [inches]



Flow rate chart



Codes & Standards

DIN 4109

EN 817

Executive Order
no. 1007

ISO 3822

Scottish Water
Byelaws

UK Water Supply
Regulations

Ü-Zeichen

VA-Zeichen



IMO Single-lever basin mixer without pop-up waste - Brushed Chrome

IMO

33 521 670

Certificates

GDV_0400

LGA_19

WRAS_240202

WRAS_1806

ETA_19

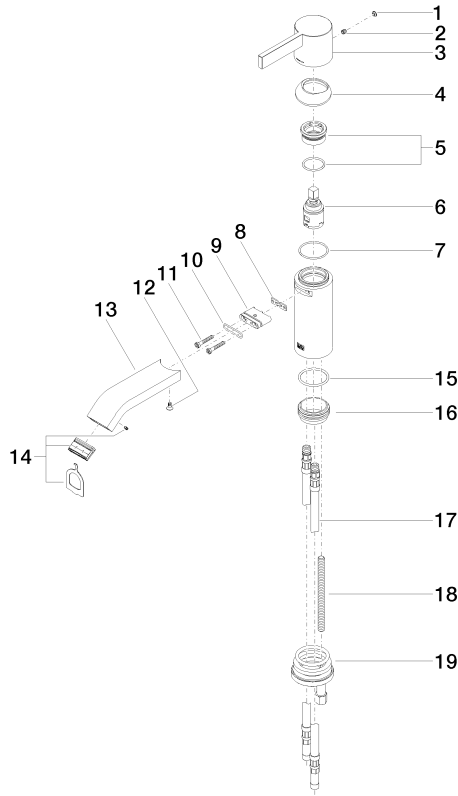
33 521 670

Product version up to 10/10/2018

Product version from 10/10/2018 to 5/10/2021

Product version from 5/10/2021

Parts for other
finishes can be found
here: [Chrome](#)





IMO Single-lever basin mixer without pop-up waste - Brushed Chrome

IMO

33 521 670

Spare parts list

Product version up to 10/10/2018

Product version from 10/10/2018 to 5/10/2021

Product version from 5/10/2021

No.	Item Number	Name	Quantity used	Delivery time
	90 31 20 087 00-93	plug	21	20