




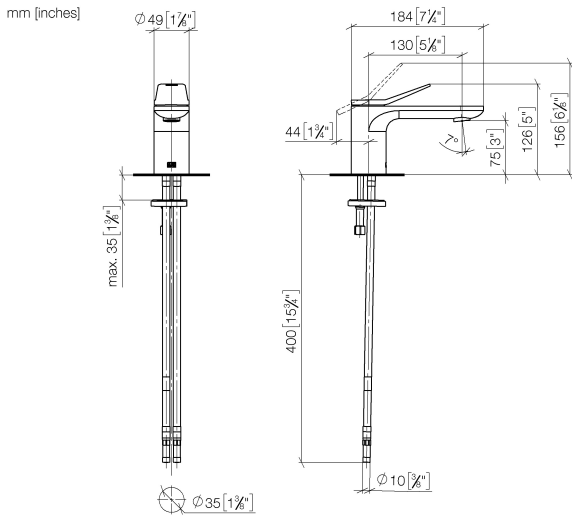
33 521 845



- 130mm projection
- fixed spout
- circular, air-enriched flow
- height of mixer 127 mm
- height up to aerator 75 mm
- hole diameter 35 mm
- 2x screw-in M 8 x 1 pressure hose, leak-tested
- max. flow 5.7 l/min
- lead-free
- This product can help a building meet the requirements of Green Building Rating Systems, e.g. LEED®, BREEAM®, DGNB
- WRAS 1906074

	Brushed Chrome	33 521 845-93
	Chrome	33 521 845-00
	Brushed Platinum	33 521 845-06
	Dark Chrome	33 521 845-19
	Brushed Light Gold	33 521 845-27
	Matte Black	33 521 845-33
	Brushed Dark Platinum	33 521 845-99

33 521 845



**Flow rate chart**



**Codes & Standards**

DIN 4109	Executive Order no. 1007	ISO 3822	Scottish Water Byelaws
UK Water Supply Regulations	Ü-Zeichen		



LISSÉ Single-lever basin mixer without pop-up waste - Brushed Chrome

LISSÉ

33 521 845

Certificates

WRAS\_1906

GDV\_0400

LGA\_29

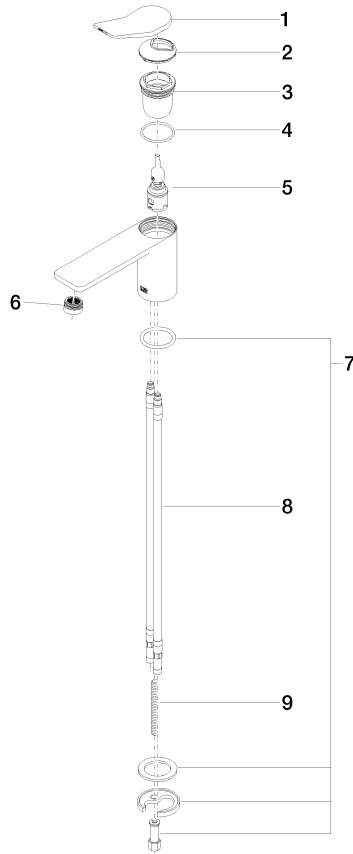
33 521 845

Product version from 3/9/2016 to 10/31/2018

Product version from 10/31/2018 to 5/3/2021

**Product version from 5/3/2021**

Parts for other finishes can be found here: [Chrome](#)





## LISSÉ Single-lever basin mixer without pop-up waste - Brushed Chrome

LISSÉ

33 521 845

### Spare parts list

Product version from 3/9/2016 to 10/31/2018

Product version from 10/31/2018 to 5/3/2021

### Product version from 5/3/2021

No.	Item Number	Name	Quantity used	Delivery time
	90 20 84 020 00-93	handle	10	20