


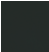



EDITION PRO GRANDE Single-lever basin mixer without pop-up waste - Chrome

33 522 626



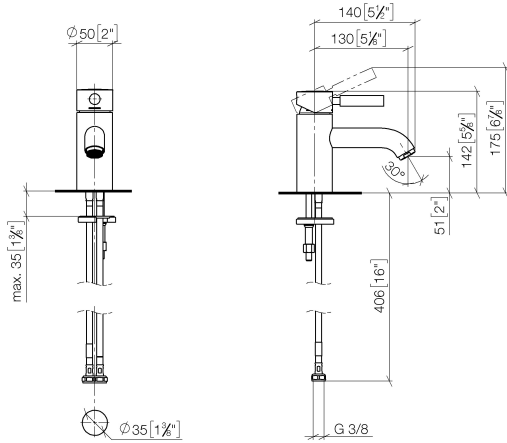
- 130mm projection
- fixed spout
- circular, air-enriched flow
- height of mixer 142 mm
- height up to aerator 51 mm
- hole diameter 35 mm
- 2x screw-in M 10 x 1 pressure hose, leak-tested
- max. flow 7 l/min
- lead-free
- WRAS 1805123

	Chrome	33 522 626-00
	Matte Black	33 522 626-33
	Brushed Chrome	33 522 626-93

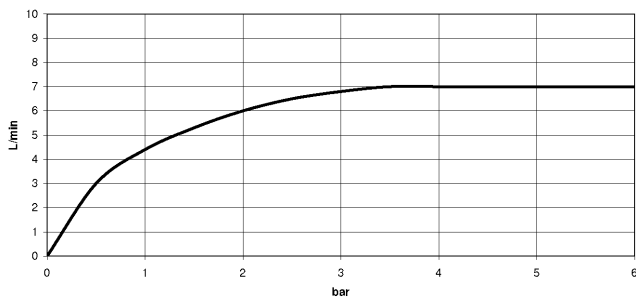


EDITION PRO GRANDE Single-lever basin mixer without pop-up waste - Chrome

33 522 626
mm [inches]



Flow rate chart



Codes & Standards

DIN 4109

ISO 3822

Scottish Water
Byelaws

UK Water Supply
Regulations

Ü-Zeichen



EDITION PRO GRANDE Single-lever basin mixer without pop-up waste - Chrome

33 522 626

Certificates

LGA_9

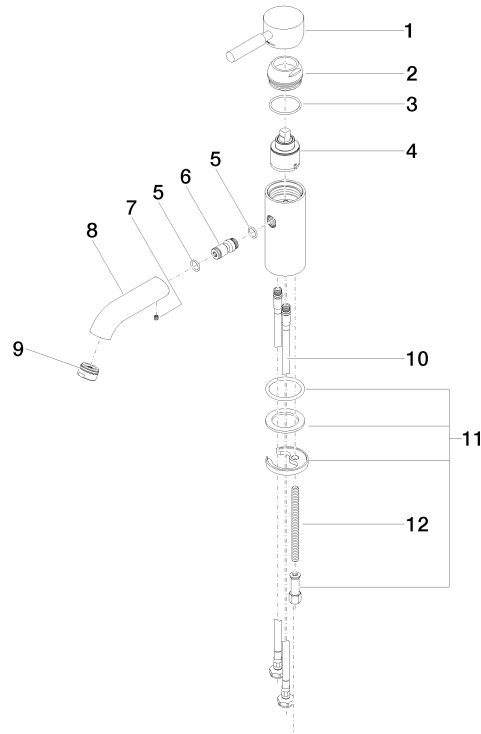
WRAS_1805

WRAS_240602



EDITION PRO GRANDE Single-lever basin mixer without pop-up waste - Chrome

33 522 626





EDITION PRO GRANDE Single-lever basin mixer without pop-up waste -
Chrome

33 522 626

Spare parts list

No.	Item Number	Name	Quantity used	Delivery time
	90 20 62 047 00-00	handle	13	10