






EDITION PRO Single-lever basin mixer without pop-up waste - Brushed Chrome

33 526 626



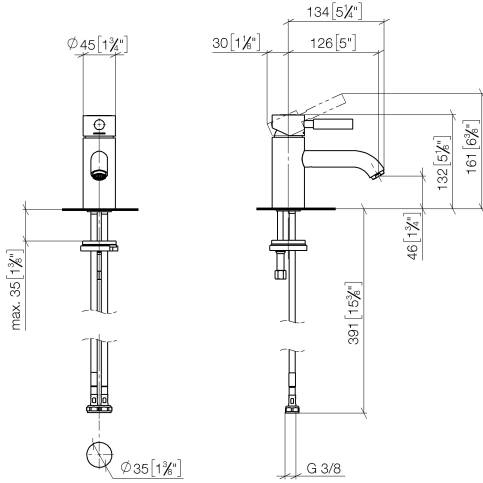
- 126mm projection
- fixed spout
- circular, air-enriched flow
- height of mixer 132 mm
- height up to aerator 46 mm
- hole diameter 35 mm
- 2x screw-in M 10 x 1 pressure hose, leak-tested
- max. flow 7 l/min
- lead-free
- WRAS 240502020, 1807097

	Brushed Chrome	33 526 626-93
	Chrome	33 526 626-00
	Matte Black	33 526 626-33

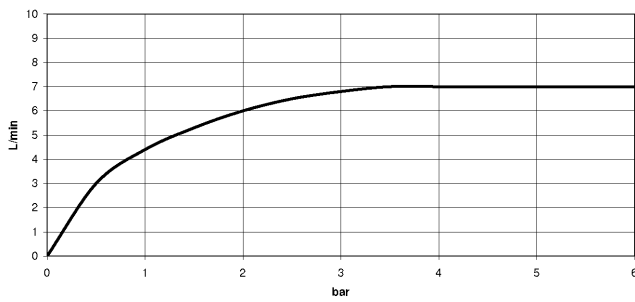


EDITION PRO Single-lever basin mixer without pop-up waste - Brushed Chrome

33 526 626
mm [inches]



Flow rate chart



Codes & Standards

DIN 4109

ISO 3822

Scottish Water
Byelaws

UK Water Supply
Regulations

Ü-Zeichen



EDITION PRO Single-lever basin mixer without pop-up waste - Brushed Chrome

33 526 626
Certificates

LGA_9

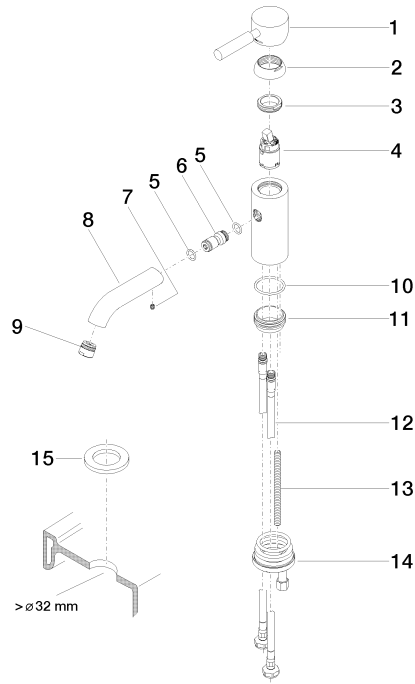
WRAS_240502



EDITION PRO Single-lever basin mixer without pop-up waste - Brushed Chrome

33 526 626

Parts for other finishes can be found here: [Chrome](#)





EDITION PRO Single-lever basin mixer without pop-up waste - Brushed Chrome

33 526 626

Spare parts list

No.	Item Number	Name	Quantity used	Delivery time
	90 20 62 046 00-93	handle	16	20