

33 800 875



- 201mm projection
- pivotable spout 360°
- air-enriched flow
- height of mixer 373 mm
- height up to aerator 240 mm
- hole diameter 35 mm
- max. flow 8 l/min at 3 bar flow pressure
- lead-free
- This product can help a building meet the requirements of Green Building Rating Systems, e.g. LEED®, BREEAM®, DGNB
- WRAS 2101012

	Brushed Durabron (23kt Gold)	33 800 875-28
	Chrome	33 800 875-00
	Brushed Platinum	33 800 875-06
	Platinum	33 800 875-08
	Durabron (23kt Gold)	33 800 875-09
	Dark Chrome	33 800 875-19
	Matte Black	33 800 875-33
	Brushed Champagne (22kt Gold)	33 800 875-46
	Champagne (22kt Gold)	33 800 875-47
	Brushed Chrome	33 800 875-93
	Brushed Dark Platinum	33 800 875-99

**Recommended miscellaneous**

**Strainer waste with control handle - Brushed Durabron (23kt Gold)** 10 712 970-28

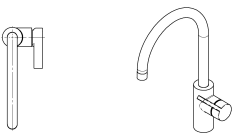
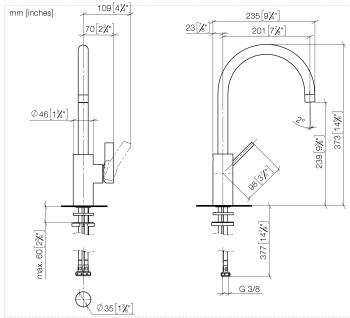


**Recommended miscellaneous**

**Dispenser without rosette - Brushed Durabron (23kt Gold)** 82 424 970-28



33 800 875



**Flow rate chart**



**Codes & Standards**

DIN 4109

EN 817

Executive Order  
no. 1007

ISO 3822

Scottish Water  
Byelaws

UK Water Supply  
Regulations

Ü-Zeichen

VA-Zeichen



TARA ULTRA Single-lever mixer - Brushed Durabronz (23kt Gold)

TARA ULTRA

33 800 875

Certificates

GDV\_0400

LGA\_18

WRAS\_2101

ETA\_18

33 800 875

Product version from 5/31/2010 to 7/25/2018

Product version from 7/25/2018 to 5/15/2020

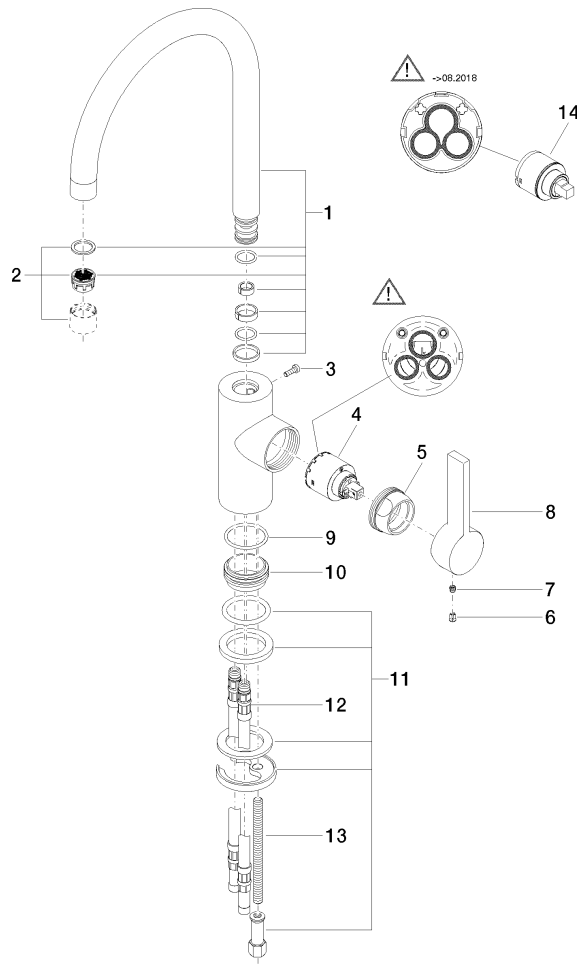
Product version from 5/15/2020 to 10/27/2020

Product version from 10/27/2020 to 5/3/2021

Product version from 5/3/2021

**Product version from 6/1/2022**

Parts for other finishes can be found here: [Chrome](#)





# TARA ULTRA Single-lever mixer - Brushed Durabronze (23kt Gold)

TARA ULTRA

33 800 875

## Spare parts list

Product version from 5/31/2010 to 7/25/2018

Product version from 7/25/2018 to 5/15/2020

Product version from 5/15/2020 to 10/27/2020

Product version from 10/27/2020 to 5/3/2021

Product version from 5/3/2021

### **Product version from 6/1/2022**

No.	Item Number	Name	Quantity used	Delivery time
	90 28 22 204 02-28	spout	15	20