

33 800 875



- 201mm projection
- pivotable spout 360°
- air-enriched flow
- height of mixer 373 mm
- height up to aerator 240 mm
- hole diameter 35 mm
- max. flow 8 l/min at 3 bar flow pressure
- lead-free
- This product can help a building meet the requirements of Green Building Rating Systems, e.g. LEED®, BREEAM®, DGNB
- WRAS 2101012

| | | |
|--|--------------------------------|---------------|
|  | Brushed Chrome | 33 800 875-93 |
|  | Chrome | 33 800 875-00 |
|  | Brushed Platinum | 33 800 875-06 |
|  | Platinum | 33 800 875-08 |
|  | Durabronze (23kt Gold) | 33 800 875-09 |
|  | Dark Chrome | 33 800 875-19 |
|  | Brushed Durabronze (23kt Gold) | 33 800 875-28 |
|  | Matte Black | 33 800 875-33 |
|  | Brushed Champagne (22kt Gold) | 33 800 875-46 |
|  | Champagne (22kt Gold) | 33 800 875-47 |
|  | Brushed Dark Platinum | 33 800 875-99 |

Recommended miscellaneous

**Dispenser without rosette -
Brushed Chrome** 82 424 970-93

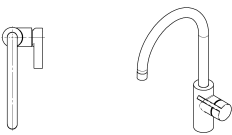
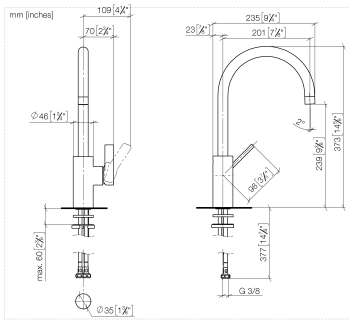


Recommended miscellaneous

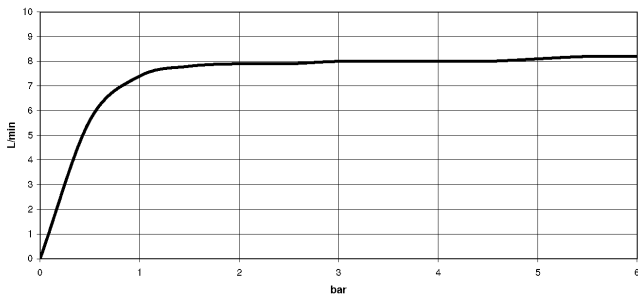
**Strainer waste with control handle -
Brushed Chrome** 10 712 970-93



33 800 875



Flow rate chart



Codes & Standards

DIN 4109

Executive Order
no. 1007

ISO 3822

Ü-Zeichen



TARA ULTRA Single-lever mixer - Brushed Chrome

TARA ULTRA

33 800 875

Certificates

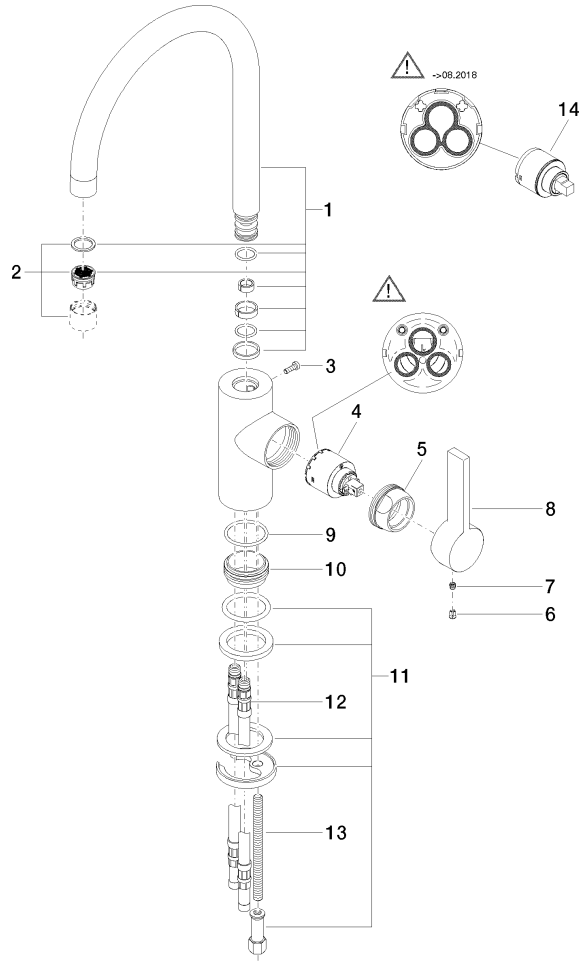
GDV_0400

LGA_18

33 800 875

Product version from 6/1/2022

Parts for other finishes can be found here: Chrome





33 800 875

Spare parts list

Product version from 6/1/2022