

**TARA Single-lever mixer - Champagne (22kt Gold)**

TARA

33 815 888



- 236mm projection
- pivotable spout 360°
- air-enriched flow
- height of mixer 400 mm
- height up to aerator 230 mm
- hole diameter 35 mm
- max. flow 7 l/min at 3 bar flow pressure
- lead-free
- WRAS 2311044
- This product can help a building meet the requirements of Green Building Rating Systems, e.g. LEED®, BREEAM®, DGNB

	Champagne (22kt Gold)	33 815 888-47
	Chrome	33 815 888-00
	Brushed Platinum	33 815 888-06
	Platinum	33 815 888-08
	Durabronze (23kt Gold)	33 815 888-09
	Dark Chrome	33 815 888-19
	Brushed Durabronze (23kt Gold)	33 815 888-28
	Matte Black	33 815 888-33
	Brushed Champagne (22kt Gold)	33 815 888-46
	Brushed Chrome	33 815 888-93
	Brushed Dark Platinum	33 815 888-99

**Recommended miscellaneous**

**Dispenser with rosette - Champagne (22kt Gold)**

82 444 970-47



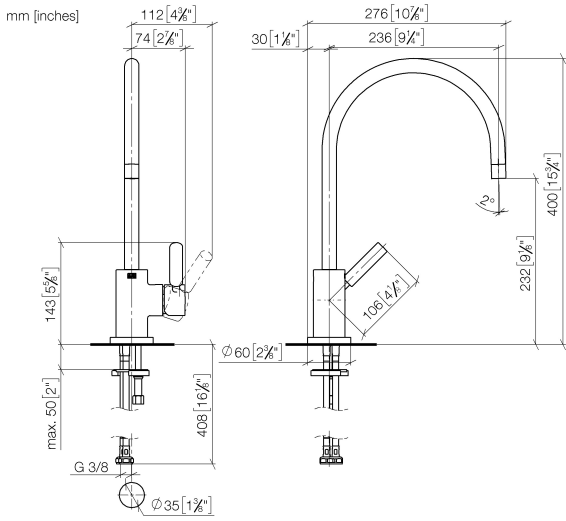
**Recommended miscellaneous**

**Strainer waste with control handle - Champagne (22kt Gold)**

10 710 970-47



33 815 888



### Flow rate chart



### Codes & Standards

Executive Order  
no. 1007

Scottish Water  
Byelaws

UK Water Supply  
Regulations



TARA Single-lever mixer - Champagne (22kt Gold)

---

TARA

33 815 888

Certificates

---

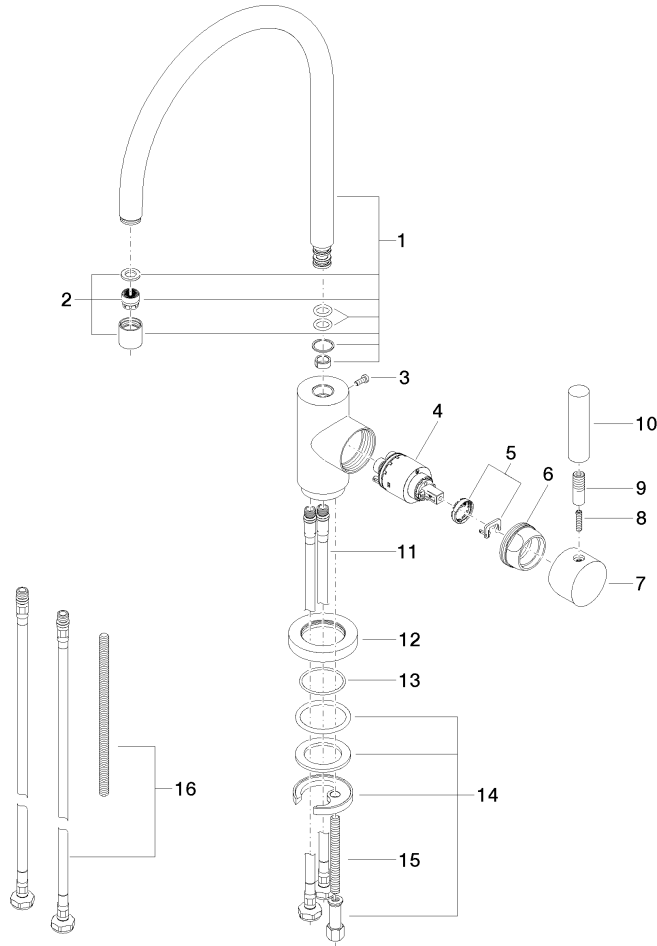
GDV\_0400

WRAS\_2311

33 815 888

**Product version from 9/7/2021**

Parts for other finishes can be found here: [Chrome](#)





TARA Single-lever mixer - Champagne (22kt Gold)

TARA

33 815 888

**Spare parts list**

**Product version from 9/7/2021**

No.	Item Number	Name	Quantity used	Delivery time
	90 28 22 049 02-47	spout	17	30