

**VAIA Single-lever mixer - Dark Chrome**

VAIA

33 816 809



- 241mm projection
- pivotable spout 360°
- air-enriched flow
- max. flow 7 l/min at 3 bar flow pressure
- lead-free
- This product can help a building meet the requirements of Green Building Rating Systems, e.g. LEED®, BREEAM®, DGNB

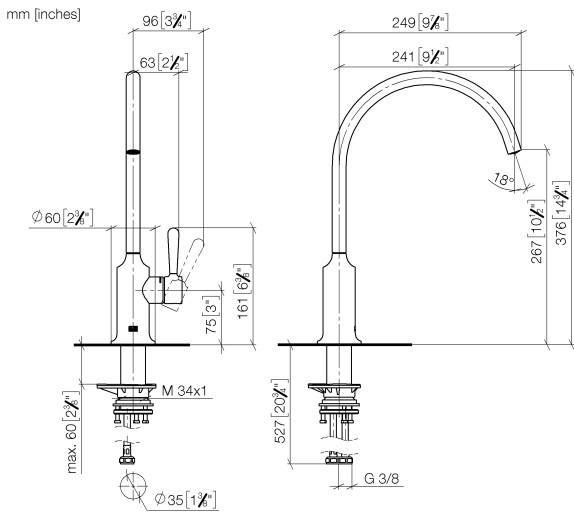
|  |                               |               |
|--|-------------------------------|---------------|
|    | Dark Chrome                   | 33 816 809-19 |
|    | Chrome                        | 33 816 809-00 |
|    | Brushed Platinum              | 33 816 809-06 |
|    | Platinum                      | 33 816 809-08 |
|    | Durabrand (23kt Gold)         | 33 816 809-09 |
|    | Brushed Durabrand (23kt Gold) | 33 816 809-28 |
|    | Matte Black                   | 33 816 809-33 |
|    | Brushed Champagne (22kt Gold) | 33 816 809-46 |
|    | Champagne (22kt Gold)         | 33 816 809-47 |
|   | Brushed Chrome                | 33 816 809-93 |
|  | Brushed Dark Platinum         | 33 816 809-99 |

**Recommended miscellaneous**

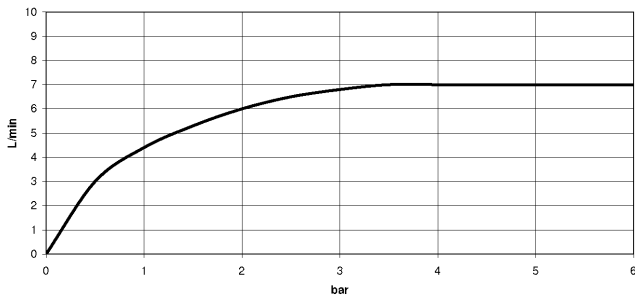
**VAIA Dispenser with rosette - Dark Chrome** 82 434 809-19



33 816 809



**Flow rate chart**



**Codes & Standards**

DIN 4109

ISO 3822

Scottish Water  
Byelaws

UK Water Supply  
Regulations

**Ü-Zeichen**



## VAIA Single-lever mixer - Dark Chrome

---

VAIA

33 816 809

### Certificates

---

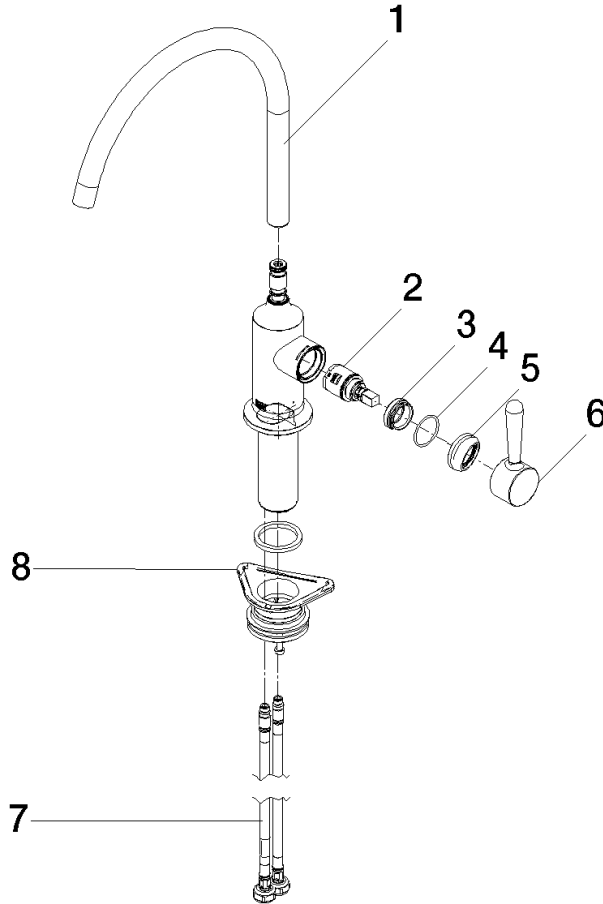
LGA\_29

WRAS\_240602

33 816 809

**Product version from 7/1/2023**

Parts for other finishes can be found here: [Chrome](#)





# VAIA Single-lever mixer - Dark Chrome

VAIA

33 816 809

## Spare parts list

### Product version from 7/1/2023

| No. | Item Number        | Name  | Quantity used | Delivery time |
|-----|--------------------|-------|---------------|---------------|
|     | 90 28 22 396 00-19 | spout | 9             | 20            |