

33 840 760



- 220mm projection
- pivotable spout 130°
- air-enriched flow
- height of mixer 167 mm
- height up to aerator 145 mm
- hole diameter 35 mm
- fabric braided hose 1500 mm
- max. flow 8 l/min at 3 bar flow pressure
- lead-free
- This product can help a building meet the requirements of Green Building Rating Systems, e.g. LEED®, BREEAM®, DGNB

Intrinsic protection against back flow.

| | | |
|---|--------------------------------|---------------|
|  | Champagne (22kt Gold) | 33 840 760-47 |
|  | Chrome | 33 840 760-00 |
|  | Brushed Platinum | 33 840 760-06 |
|  | Platinum | 33 840 760-08 |
|  | Dark Chrome | 33 840 760-19 |
|  | Brushed Durabronze (23kt Gold) | 33 840 760-28 |
|  | Brushed Champagne (22kt Gold) | 33 840 760-46 |
|  | Brushed Chrome | 33 840 760-93 |
|  | Brushed Dark Platinum | 33 840 760-99 |

Recommended miscellaneous

Dispenser without rosette - Champagne (22kt Gold) 82 424 970-47

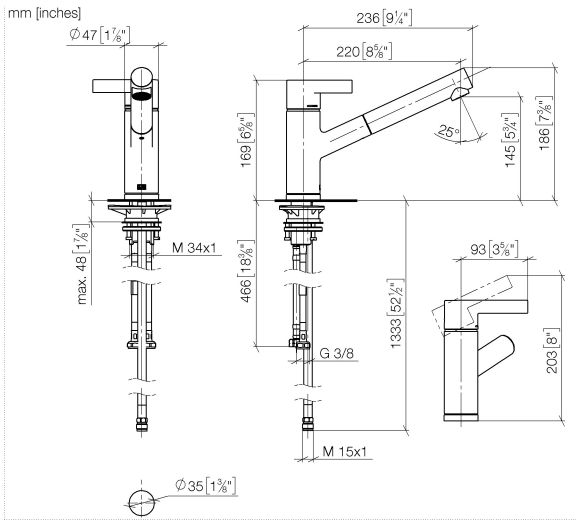


Recommended miscellaneous

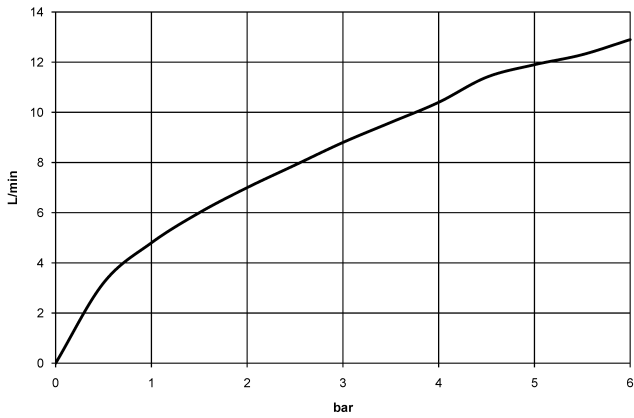
Strainer waste with control handle - Champagne (22kt Gold) 10 712 970-47



33 840 760



Flow rate chart



Codes & Standards

DIN 4109

EN 1717

Executive Order
no. 1007

ISO 3822

Ü-Zeichen



ENO Single-lever mixer Pull-out - Champagne (22kt Gold)

ENO

33 840 760

Certificates

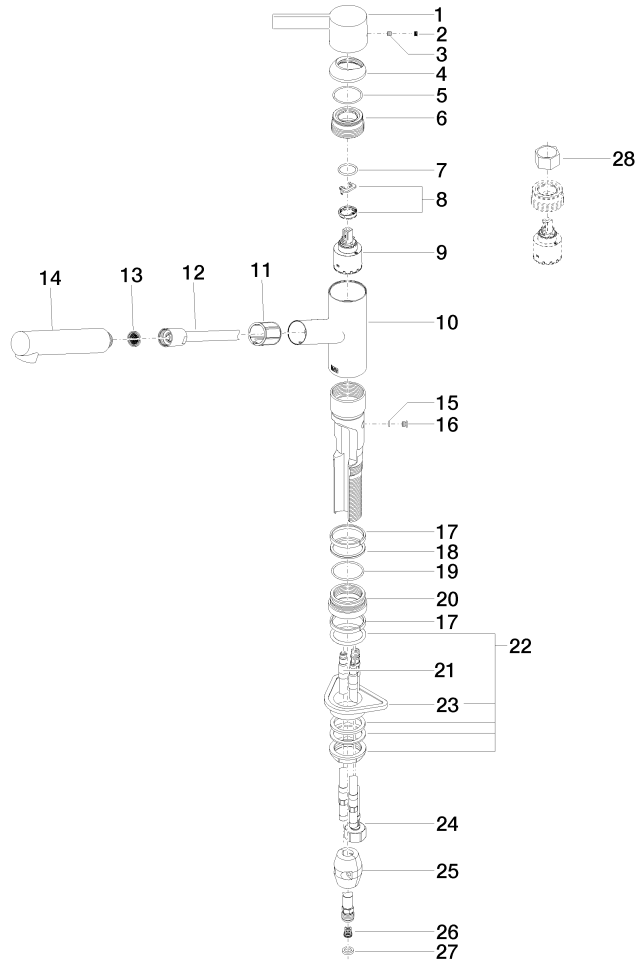
Belgaqua_22_277_2 GDV_0400

LGA_19

33 840 760

Product version from 5/7/2021

Parts for other finishes can be found here: Chrome





ENO Single-lever mixer Pull-out - Champagne (22kt Gold)

ENO

33 840 760

Spare parts list

Product version from 5/7/2021