

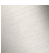





33 860 875



- 240mm projection
- pivotable 360°
- air-enriched flow and spray flow
- height of mixer 685 mm
- height up to aerator 129 mm
- hole diameter 35 mm
- sprayface with anti-scaling system
- max. flow 8 l/min at 3 bar flow pressure
- lead-free
- This product can help a building meet the requirements of Green Building Rating Systems, e.g. LEED®, BREEAM®, DGNB

Intrinsic protection against back flow.

	Platinum	33 860 875-08
	Chrome	33 860 875-00
	Brushed Platinum	33 860 875-06
	Dark Chrome	33 860 875-19
	Brushed Chrome	33 860 875-93
	Brushed Dark Platinum	33 860 875-99

**Recommended miscellaneous**

**Strainer waste with control handle - Platinum** 10 712 970-08

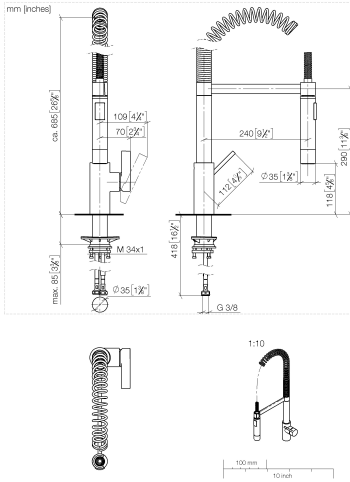


**Recommended miscellaneous**

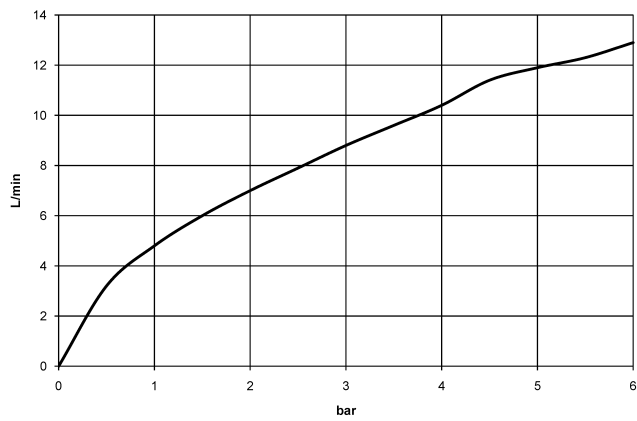
**Dispenser without rosette - Platinum** 82 424 970-08



33 860 875



Flow rate chart



Codes & Standards

DIN 4109

EN 1717

ISO 3822

Ü-Zeichen



## TARA ULTRA Profi single-lever mixer - Platinum

---

TARA ULTRA

33 860 875

### Certificates

---

Belgaqua\_22\_277\_2 LGA\_18

33 860 875

Product version up to 7/24/2018

Product version from 7/24/2018 to 5/15/2020

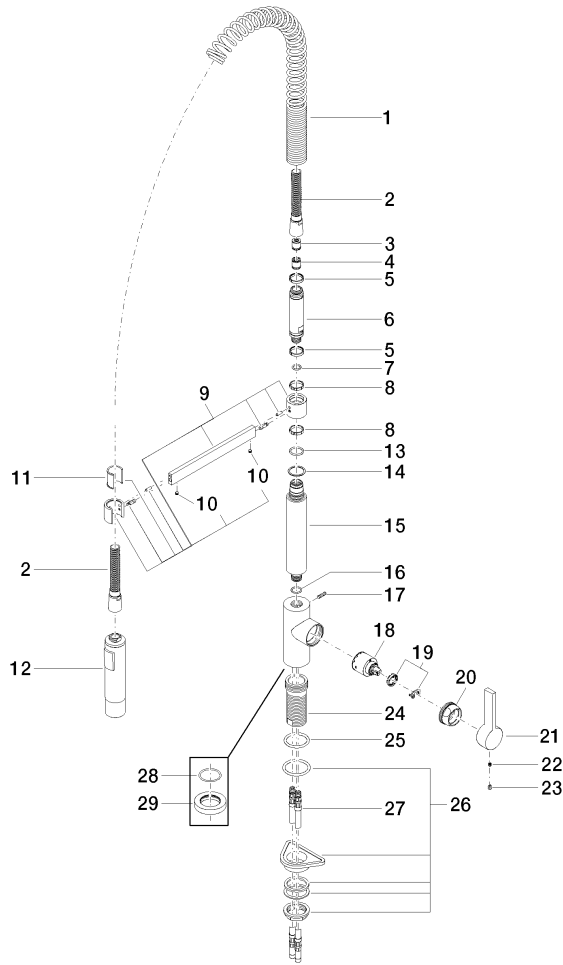
Product version from 5/15/2020 to 5/16/2020

Product version from 5/15/2020 to 5/3/2021

Product version from 5/3/2021

**Product version from 6/1/2022**

Parts for other finishes can be found here: [Chrome](#)





## TARA ULTRA Profi single-lever mixer - Platinum

TARA ULTRA

33 860 875

### Spare parts list

Product version up to 7/24/2018

Product version from 7/24/2018 to 5/15/2020

Product version from 5/15/2020 to 5/16/2020

Product version from 5/15/2020 to 5/3/2021

Product version from 5/3/2021

### **Product version from 6/1/2022**

No.	Item Number	Name	Quantity used	Delivery time
	09 16 02 035 90	spring	33	2