


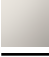




33 860 875



- 240mm projection
- pivotable 360°
- air-enriched flow and spray flow
- height of mixer 685 mm
- height up to aerator 129 mm
- hole diameter 35 mm
- sprayface with anti-scaling system
- max. flow 8 l/min at 3 bar flow pressure
- lead-free
- This product can help a building meet the requirements of Green Building Rating Systems, e.g. LEED®, BREEAM®, DGNB

Intrinsic protection against back flow.

	Brushed Chrome	33 860 875-93
	Chrome	33 860 875-00
	Brushed Platinum	33 860 875-06
	Platinum	33 860 875-08
	Dark Chrome	33 860 875-19
	Brushed Dark Platinum	33 860 875-99

Recommended miscellaneous

**Dispenser without rosette -  
Brushed Chrome** 82 424 970-93

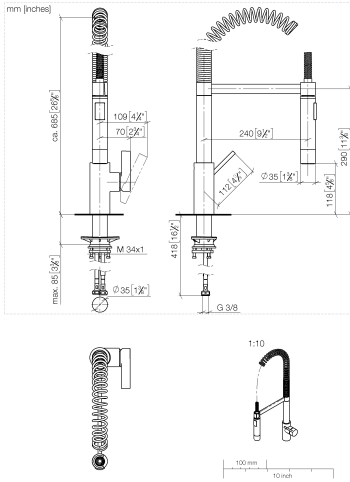


Recommended miscellaneous

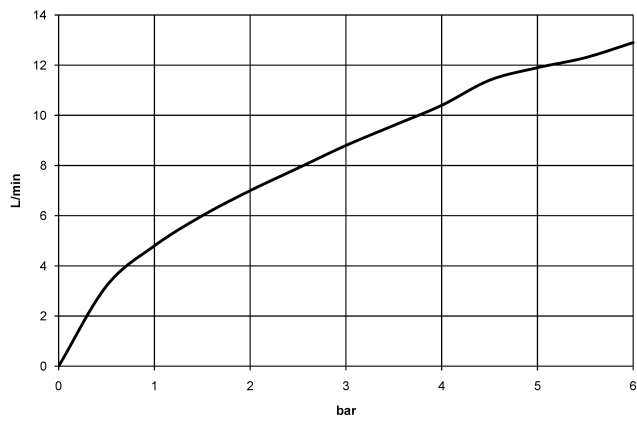
**Strainer waste with control handle  
- Brushed Chrome** 10 712 970-93



33 860 875



**Flow rate chart**



**Codes & Standards**

EN 1717



## TARA ULTRA Profi single-lever mixer - Brushed Chrome

---

TARA ULTRA

33 860 875

Certificates

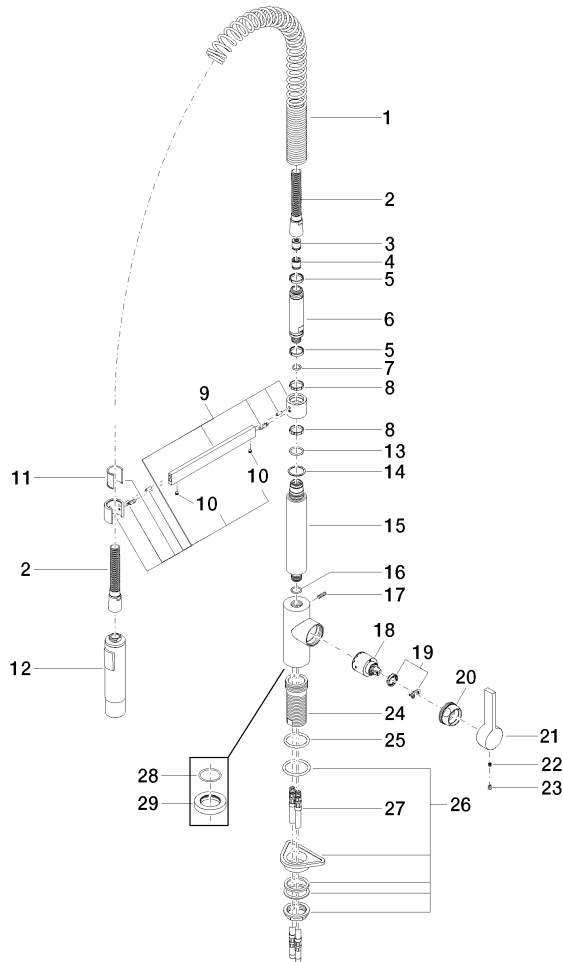
---

Belgaqua\_22\_277\_2

33 860 875

**Product version from 6/1/2022**

Parts for other finishes can be found here: [Chrome](#)





33 860 875

## **Spare parts list**

**Product version from 6/1/2022**