

33 870 760



- 225mm projection
- pivotable spout 130°
- air-enriched flow and spray flow
- height of mixer 167 mm
- height up to aerator 137 mm
- hole diameter 35 mm
- fabric braided hose 1500 mm
- max. flow 8.3 l/min at 3 bar flow pressure
- lead-free
- This product can help a building meet the requirements of Green Building Rating Systems, e.g. LEED®, BREEAM®, DGNB

Intrinsic protection against back flow.

| | | |
|---|--------------------------------|---------------|
|  | Chrome | 33 870 760-00 |
|  | Brushed Platinum | 33 870 760-06 |
|  | Platinum | 33 870 760-08 |
|  | Dark Chrome | 33 870 760-19 |
|  | Brushed Durabronze (23kt Gold) | 33 870 760-28 |
|  | Brushed Champagne (22kt Gold) | 33 870 760-46 |
|  | Champagne (22kt Gold) | 33 870 760-47 |
|  | Brushed Chrome | 33 870 760-93 |
|  | Brushed Dark Platinum | 33 870 760-99 |

Recommended miscellaneous

Strainer waste with control handle - Chrome 10 712 970-00

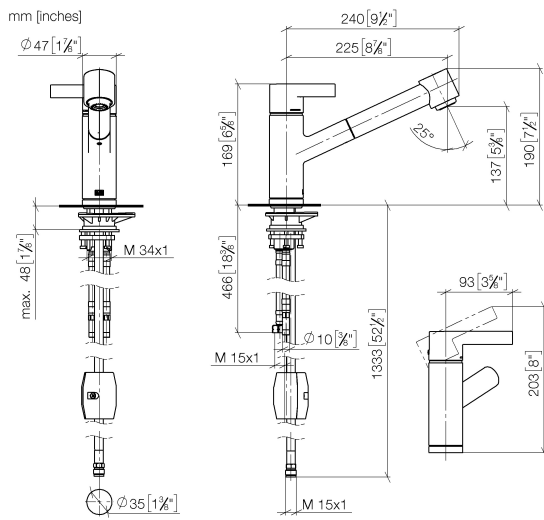


Recommended miscellaneous

Dispenser without rosette - Chrome 82 424 970-00



33 870 760



Flow rate chart



Certificates

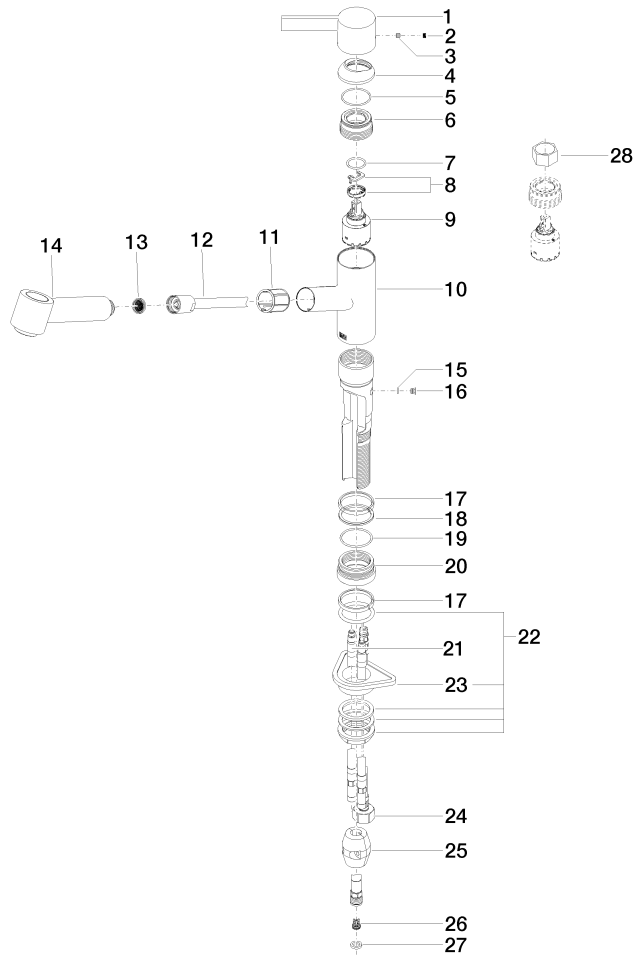
ETA_20612.

LGA_19873.

GDV_0400277.

Belgaqua_22_277_2
7_3.

33 870 760



33 870 760

Spare parts list

| No. | Item Number | Name | Quantity used | Delivery time |
|-----|--------------------|---------------------|---------------|---------------|
| 1 | 09 20 76 001-00 | handle | 1 | 10 |
| 2 | 90 31 20 109 00 90 | plug | 1 | 2 |
| 3 | 90 31 11 030 00 90 | pin | 1 | 2 |
| 4 | 09 28 30 012-00 | cover | 1 | 10 |
| 5 | 09 14 10 102 90 | seal | 1 | 2 |
| 6 | 09 24 04 270 90 | nut | 1 | 2 |
| 7 | 09 14 10 031 90 | seal | 1 | 2 |
| 8 | 90 28 10 148 00 90 | accessories | 1 | 2 |
| 9 | 90 15 05 064 00 90 | cartridge | 1 | 2 |
| 10 | 09 19 76 001-00 | sleeve | 1 | 10 |
| 11 | 09 18 40 099 90 | sleeve | 1 | 2 |
| 12 | 90 30 02 062 00-00 | hose | 1 | 2 |
| 13 | 09 23 01 039 90 | sieve | 1 | 2 |
| 14 | 90 12 11 098 00-00 | shower | 1 | 10 |
| 15 | 09 14 10 001 90 | seal | 1 | 2 |
| 16 | 09 30 30 113 20 90 | screw | 1 | 2 |
| 17 | 09 14 15 029 90 | ring | 2 | 2 |
| 18 | 09 28 10 144 90 | ring | 1 | 2 |
| 19 | 09 14 10 034 90 | seal | 1 | 2 |
| 20 | 09 27 76 001-00 | rosette | 1 | 10 |
| 21 | 04 30 04 018 00 90 | hose | 2 | 60 |
| 22 | 04 23 10 044 02 90 | fixing set | 1 | 2 |
| 23 | 09 18 40 090 90 | sleeve | 1 | 2 |
| 24 | 04 30 04 029 00 90 | hose | 1 | 2 |
| 25 | 04 21 50 005 00 90 | accessories | 1 | 2 |
| 26 | 09 23 01 131 90 | back-flow preventer | 1 | 2 |
| 27 | 90 14 20 019 00 90 | seal | 1 | 2 |
| 28 | 90 30 09 031 00 90 | key | 1 | 2 |