

ENO Single-lever mixer Pull-out with spray function - Brushed Champagne (22kt Gold)

ENO

33 870 760



- 225mm projection
- pivotable spout 130°
- air-enriched flow and spray flow
- height of mixer 167 mm
- height up to aerator 137 mm
- hole diameter 35 mm
- fabric braided hose 1500 mm
- max. flow 8.3 l/min at 3 bar flow pressure
- lead-free
- This product can help a building meet the requirements of Green Building Rating Systems, e.g. LEED®, BREEAM®, DGNB

Intrinsic protection against back flow.

	Brushed Champagne (22kt Gold)	33 870 760-46
	Chrome	33 870 760-00
	Brushed Platinum	33 870 760-06
	Platinum	33 870 760-08
	Dark Chrome	33 870 760-19
	Brushed Durabronze (23kt Gold)	33 870 760-28
	Champagne (22kt Gold)	33 870 760-47
	Brushed Chrome	33 870 760-93
	Brushed Dark Platinum	33 870 760-99

Recommended miscellaneous



Dispenser without rosette - Brushed Champagne (22kt Gold) 82 424 970-46

Recommended miscellaneous



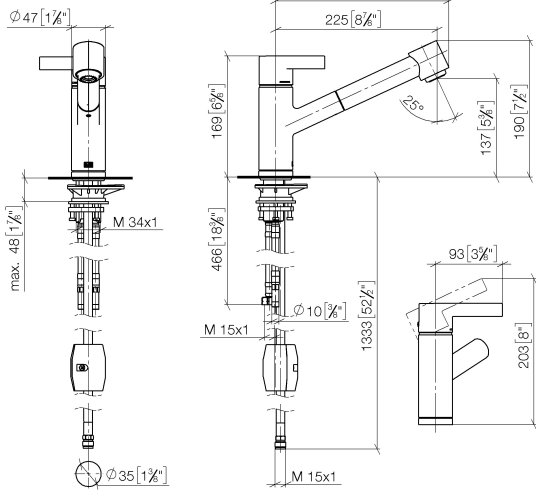
Strainer waste with control handle - Brushed Champagne (22kt Gold) 10 712 970-46

**ENO Single-lever mixer Pull-out with spray function - Brushed Champagne
(22kt Gold)**

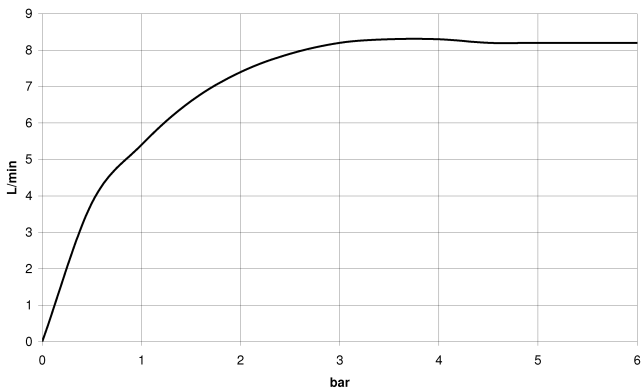
ENO

33 870 760

mm [inches]



Flow rate chart



Codes & Standards

DIN 4109

EN 1717

Executive Order
no. 1007

ISO 3822

Ü-Zeichen



ENO Single-lever mixer Pull-out with spray function - Brushed Champagne
(22kt Gold)

ENO

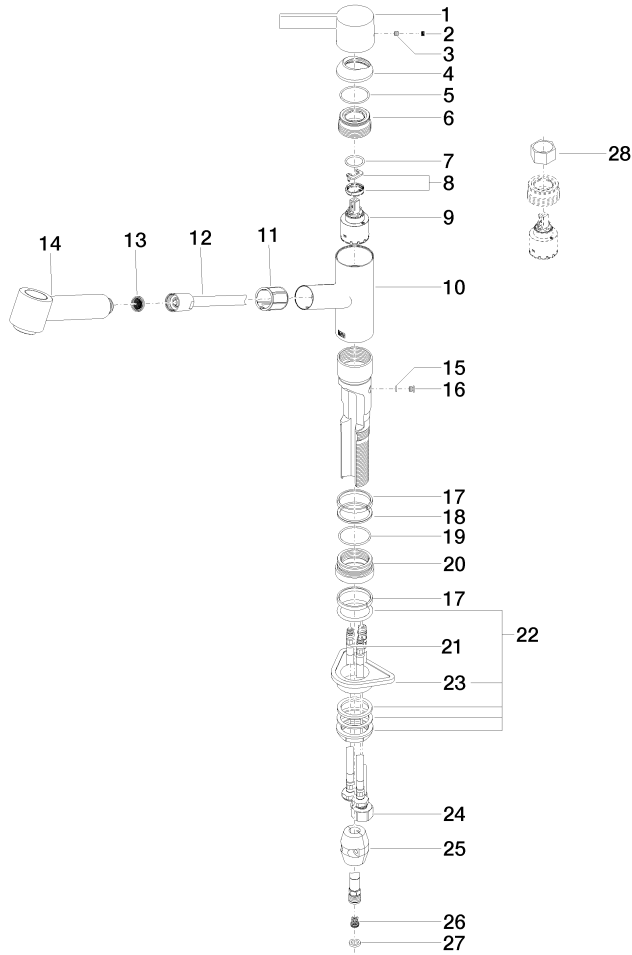
33 870 760
Certificates

GDV_0400 Belgaqua_22_277_2 LGA_19

33 870 760

Product version from 5/1/2021

Parts for other
finishes can be found
here: Chrome





ENO Single-lever mixer Pull-out with spray function - Brushed Champagne
(22kt Gold)

ENO

33 870 760

Spare parts list

Product version from 5/1/2021

No.	Item Number	Name	Quantity used	Delivery time
	09 20 76 001-46	handle	30	30