

**TARA Shower pipe with shower thermostat without hand shower FlowReduce
220 mm - Matte Black**

TARA

34 458 892



- shower with fixed riser projection 452mm
- Rain shower: PURE RAIN, max. flow rate 7 l/min (at 3 bar)
- Function from: 6 l/min
- rain shower Ø 220 mm
- rain shower with anti-scale system
- rotary diverter with volume control and shut-off function
- slide-on rosettes Ø 70 mm
- height of fittings up to rain shower (bottom edge) 964mm
- height of fittings up to top edge of elbow 1267mm
- gauge 150 mm - 13 mm
- metal shower hose 1750mm with integrated anti-twist protection
- 1/2" connection
- slide bar
- Pipe diameter 23.5 mm
- This product can help a building meet the requirements of Green Building Rating Systems, e.g. LEED®, BREEAM®, DGNB
- WRAS 2204013

This article does not include a hand shower!

Intrinsic protection against back flow.

	Matte Black	34 458 892-33
	Chrome	34 458 892-00
	Brushed Platinum	34 458 892-06
	Platinum	34 458 892-08
	Dark Chrome	34 458 892-19
	Brushed Durabronze (23kt Gold)	34 458 892-28
	Brushed Champagne (22kt Gold)	34 458 892-46
	Champagne (22kt Gold)	34 458 892-47
	Brushed Chrome	34 458 892-93
	Brushed Dark Platinum	34 458 892-99

Required miscellaneous

	Hand shower FlowReduce - Matte Black	28 016 979-33 0010
--	---	-----------------------

Required miscellaneous

	Hand shower - Matte Black	28 017 979-33
--	----------------------------------	---------------

Required miscellaneous

	Hand shower - Matte Black	28 016 979-33
--	----------------------------------	---------------

Required miscellaneous

	Hand shower - Matte Black	28 012 979-33
--	----------------------------------	---------------

Required miscellaneous

	Hand shower FlowReduce - Matte Black	28 018 979-33 0010
--	---	-----------------------

Required miscellaneous

	Hand shower FlowReduce - Matte Black	28 016 979-33 0010
--	---	-----------------------

Required miscellaneous

	Hand shower FlowReduce - Matte Black	28 012 979-33 0010
--	---	-----------------------

Required miscellaneous

	Hand shower - Matte Black	28 016 979-33
--	----------------------------------	---------------

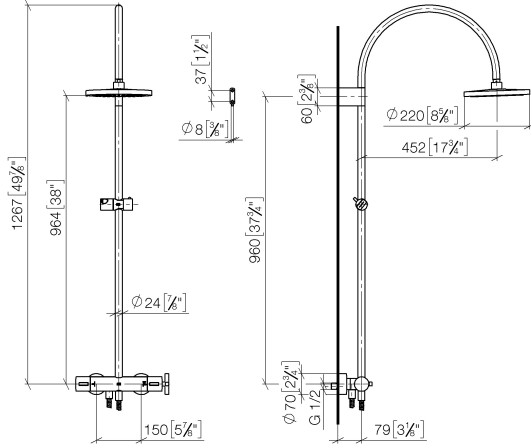
Required miscellaneous

	Hand shower - Matte Black	28 018 979-33
--	----------------------------------	---------------

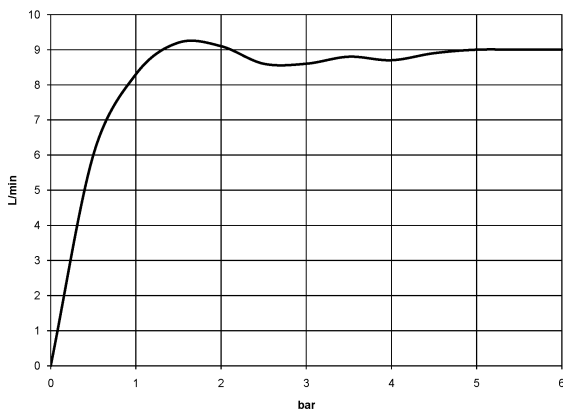
34 458 892

mm [inches]

1:10



Flow rate chart

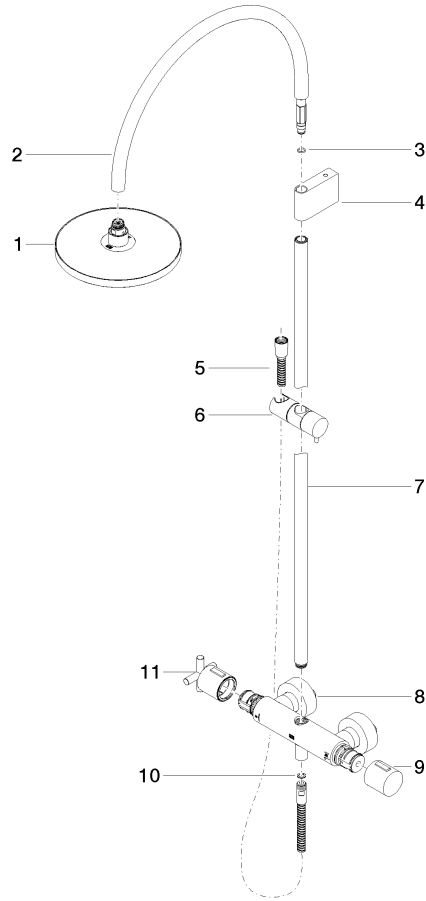


Certificates

Belgaqua_22_283_2 WRAS_2204013. LGA_38737.
7_8.

34 458 892

Parts for other
finishes can be found
here: [Chrome](#)



Spare parts list

No.	Item Number	Name	Quantity used	Delivery time
1	90 12 05 092 20-33	shower	1	30
2	04 28 22 346 00-33	pipe	1	60
3	09 14 10 008 90	seal	1	2
4	90 17 11 150 00-33	holder	1	30
5	28 322 970-33	Metal shower hose 1/2" x 3/8" x 1750 mm - Matte Black	1	2
6	12 570 970-33	Slide unit - Matte Black	1	30
7	90 28 22 349 00-33	pipe	1	30
8	04 17 01 250 00-33	connection	1	30
9	90 17 33 015 00-33	handle	1	30
10	90 14 20 026 00 90	seal	1	2
11	90 17 33 021 00-33	handle	1	30