

34 459 360









- shower with fixed riser projection 420mm
- rain shower Ø 200 mm
- rain shower with anti-scale system
- max. rainshower flow 14 l/min
- Function from: 8 l/min
- rotary diverter for fixed-riser shower/hand shower
- height of fittings up to rain shower (bottom edge) 985mm
- height of fittings up to top edge of elbow 1160mm
- two-part push-on rosette Ø 65 mm
- rosette for shower holder Ø 65mm
- rosette for wall mounting Ø 60mm
- gauge 150 mm - 13 mm
- metal shower hose 1250mm with integrated anti-twist protection
- 1/2" connection
- Pipe diameter 20 mm

This article does not include a hand shower!

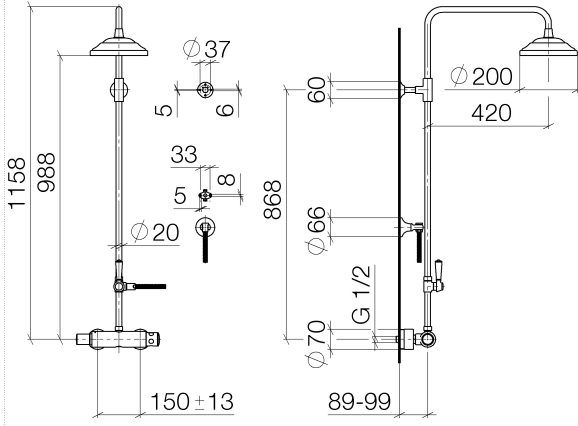
Intrinsic protection against back flow.

NOTE: The handles must be ordered separately from the fittings!

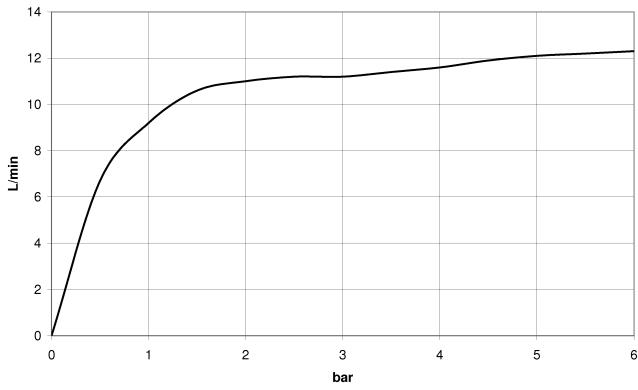
| | | |
|--|-------------------------------|---------------|
|  | Chrome | 34 459 360-00 |
|  | Brushed Platinum | 34 459 360-06 |
|  | Platinum | 34 459 360-08 |
|  | Durabrand (23kt Gold) | 34 459 360-09 |
|  | Brushed Durabrand (23kt Gold) | 34 459 360-28 |
|  | Brushed Dark Platinum | 34 459 360-99 |

34 459 360

1:10



Flow rate chart



Codes & Standards

DIN 4109

ISO 3822

Ü-Zeichen



MADISON Showerpipe with shower thermostat without hand shower - Chrome

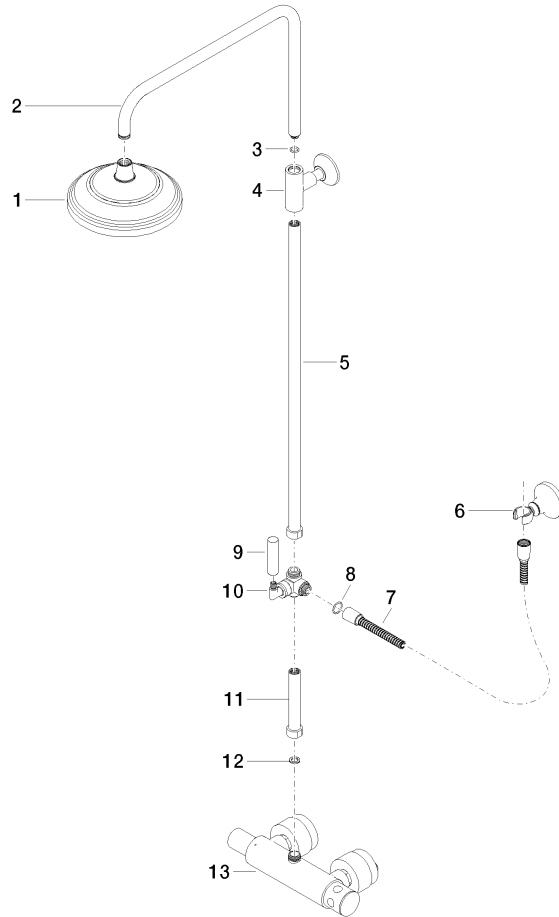
MADISON

34 459 360

Certificates

LGA_38

34 459 360





MADISON Showerpipe with shower thermostat without hand shower - Chrome

MADISON

34 459 360

Spare parts list

| No. | Item Number | Name | Quantity used | Delivery time |
|-----|--------------------|--------|---------------|---------------|
| | 04 12 05 038 01-00 | shower | 13 | 60 |