



Concealed wall installation box -

35 205 970 90

- female thread 1/2" connection
- dust cover
- anti-water packing



Required miscellaneous



WATER POINTS Adapter plate - 12 305 970 90
● adapter plate for mounting concealed rough parts 35 205 970 90 on the xGRID installation track.

Required miscellaneous



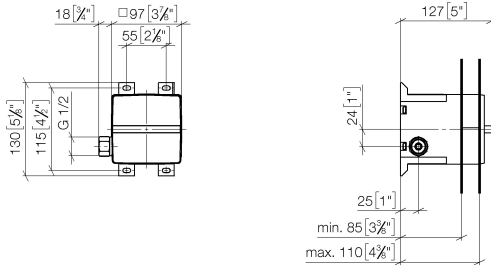
Leak protection 1/2" - 12 010 970 90



Concealed wall installation box -

35 205 970 90

mm [inches]



Codes & Standards

DIN 4109

ISO 3822

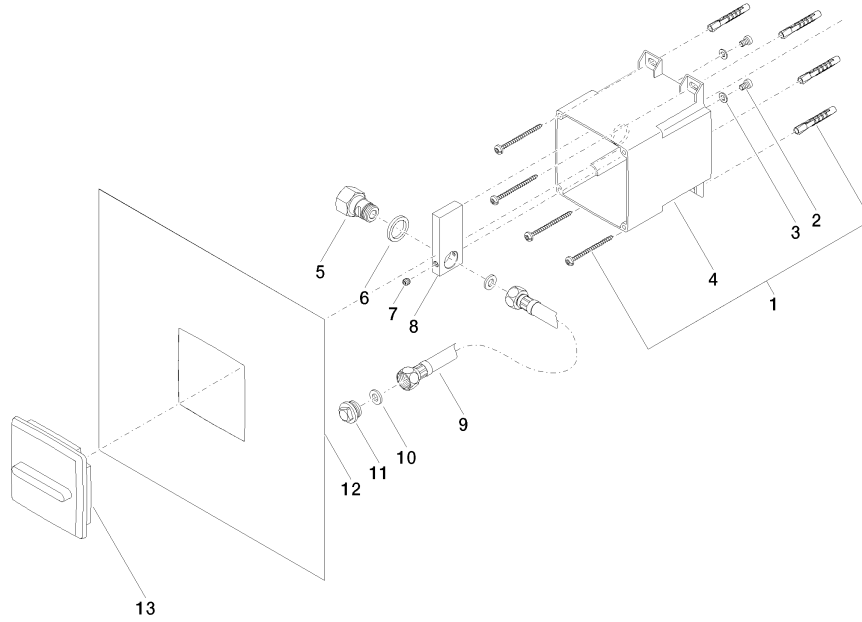
Ü-Zeichen

Certificates

LGA_18

Concealed wall installation box -

35 205 970 90





Concealed wall installation box -

35 205 970 90

Spare parts list

No.	Item Number	Name	Quantity used	Delivery time
	05 30 31 025 00 90	fixing set	17	2