

Concealed thermostat -

35 427 970 90



- lead-free, dezincification resistant
- 2x back flow preventer
- 2x female thread 1/2" connections
- 3x outlet G 1/2"
- dust cover
- anti-water packing
- sound and thermal insulation
- gauge 70 mm
- suitable for xGRID (when using installation track + 12 mm recess depth)
- WRAS 1906098

**Can only be combined with exposed trim parts
36 427 SSS-FF**

Can only be combined with exposed trim parts 36
427 SSS-FF

Required miscellaneous



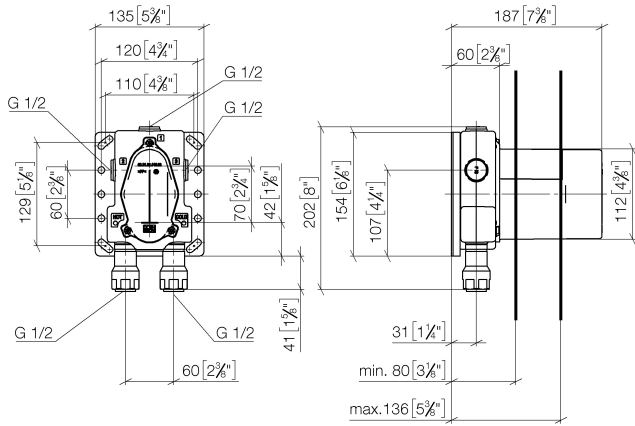
Drybox Concealed thermostat - 39 426 970 90
● Overflow is part of the scope of
delivery.



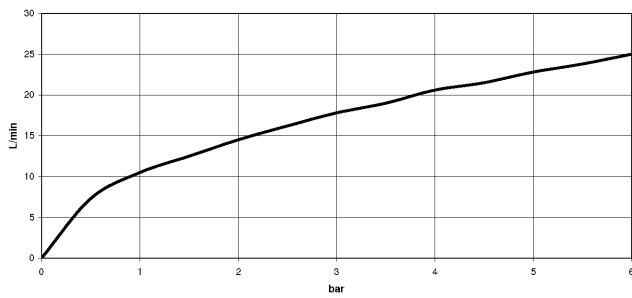
Concealed thermostat -

35 427 970 90

mm [inches]



Flow rate chart



Codes & Standards

EN 1111

EN 1717

Scottish Water
Byelaws

UK Water Supply
Regulations



Concealed thermostat -

35 427 970 90

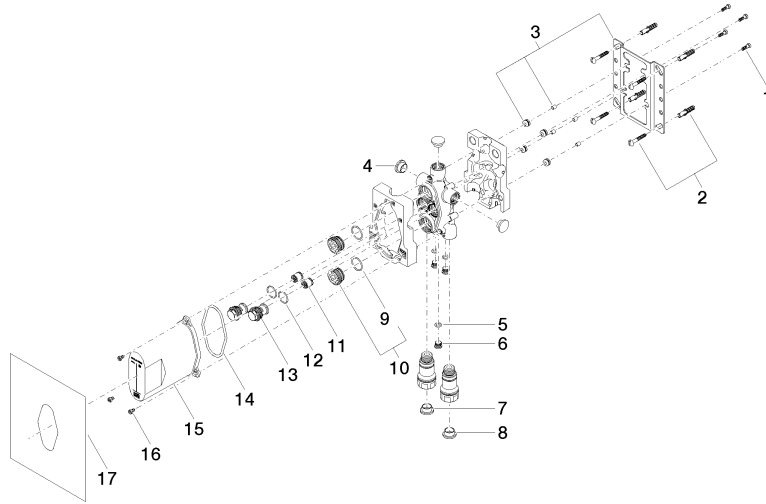
Certificates

WRAS_1906 Belgaqua_22_279_2 DVGW_DW-
6512DN0

Concealed thermostat -

35 427 970 90

Product version from 3/13/2017





Concealed thermostat -

35 427 970 90

Spare parts list

Product version from 3/13/2017

No.	Item Number	Name	Quantity used	Delivery time
	09 30 30 171 90	screw	34	2