



xTOOL Concealed thermostat module without volume control -

35 503 970 90



- red brass, lead-free
- 2x back flow preventer
- 2x female thread 3/4" connections
- 2x female thread 3/4" outlet for additional valves
- dust cover
- anti-water packing
- soundproofing
- suitable for xGRID (when using installation track + 12 mm recess depth)

Recommended miscellaneous

Extension 28 mm -

12 177 970 90



Recommended miscellaneous

Extension 46 mm -

12 178 970 90



Required miscellaneous



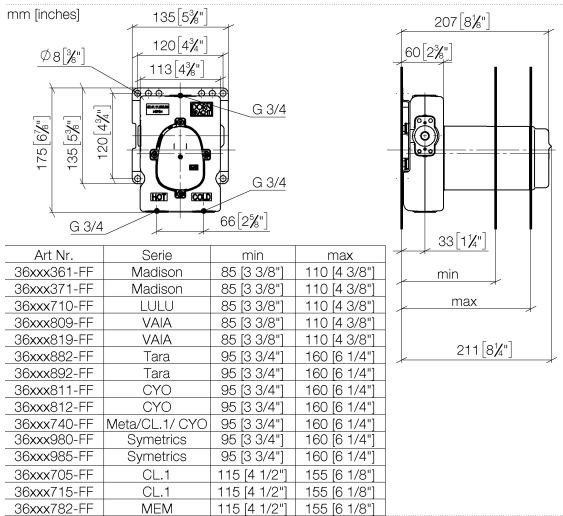
**Drybox Thermostat module
without volume control -**

39 503 970 90

- Overflow is part of the scope of delivery.

xTOOL Concealed thermostat module without volume control -

35 503 970 90



Codes & Standards

EN 1111

EN 1717

XP P 41-280

Certificates

ACS_21 ACC LY

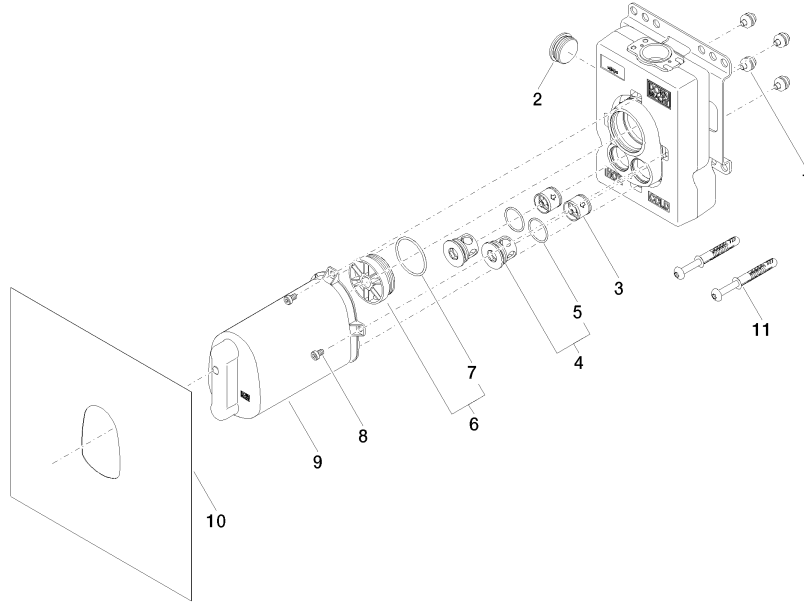
Belgaqua_21-031-2 DVGW_DW-6512DNO

xTOOL Concealed thermostat module without volume control -

35 503 970 90

Product version up to 11/25/2021

Product version from 1/1/2022





xTOOL Concealed thermostat module without volume control -

35 503 970 90

Spare parts list

Product version up to 11/25/2021

Product version from 1/1/2022

No.	Item Number	Name	Quantity used	Delivery time
	90 23 01 091 00 90	set	21	2