

RAINMOON Concealed ceiling installation box -

35 610 970 90



- concealed rough parts
- Rain panel with 2 different spray modes
- AQUACIRCLE RAIN: Circular rain curtain, max. flow rate 6.8 l/min (at 3 bar)
- TEMPEST RAIN: Natural rain, max. flow rate 5 l/min (at 3 bar)
- Ceiling installation enclosure 1356 x 1356 x 290 mm
- Opening diameter 1252 mm
- Ceiling construction with adequate structural strength for the permanent attachment of the device (weight: 57.5 kg / 127 lbs. (US)). M8 threaded bolts (minimum strength: 2000 N) are required to secure the ceiling module

Required miscellaneous

Leak protection 3/4" -

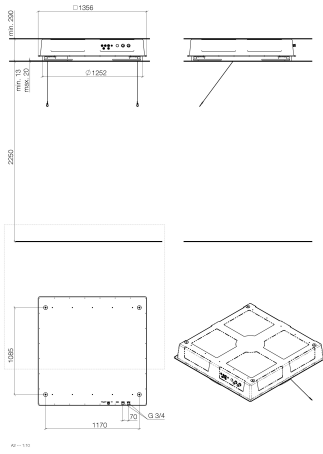
12 012 970 90

- This article is needed 2x.



RAINMOON Concealed ceiling installation box -

35 610 970 90



Codes & Standards

DIN 4109

ISO 3822

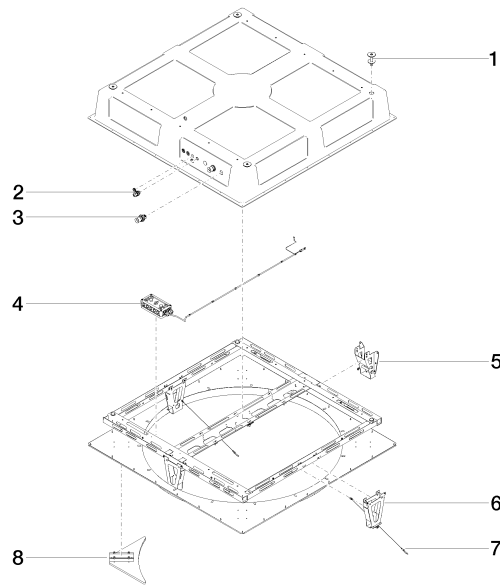
Ü-Zeichen

Certificates

LGA_29

RAINMOON Concealed ceiling installation box -

35 610 970 90





RAINMOON Concealed ceiling installation box -

35 610 970 90

Spare parts list

No.	Item Number	Name	Quantity used	Delivery time
	04 24 03 287 02 90	fixing set	17	60