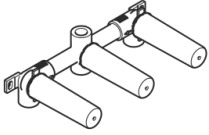


Concealed wall-mounted mixer centred spout -

35 707 970 90



- 3x dust cover
- 2x female thread 1/2" connections
- 1x female thread 1/2" outlet
- 3x sealing plug 1/2"
- gauge 100 mm
- lead-free

Required miscellaneous



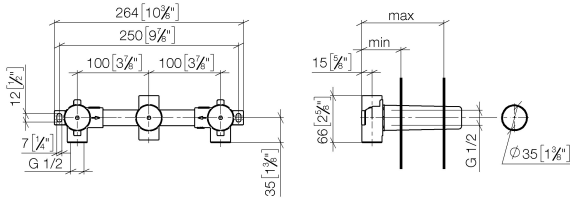
Drybox Wall-mounted basin mixer 39 708 970 90
centred spout -

- Overflow is part of the scope of delivery.

Concealed wall-mounted mixer centred spout -

35 707 970 90

mm [inches]



	min	max
Madison	55 [2 1/8"]	115 [4 1/2"]
Square	55 [2 1/8"]	110 [4 3/8"]
Circle	55 [2 1/8"]	130 [5 1/8"]
Vaia	60 [2 3/8"]	132 [5 1/4"]
Domicil	60 [2 1/2"]	100 [3 7/8"]
Deque	70 [2 3/4"]	135 [5 3/8"]
Gentle	70 [2 3/4"]	135 [5 3/8"]
La Fleur	70 [2 3/4"]	135 [5 3/8"]
Selv	70 [2 3/4"]	135 [5 3/8"]
Supernova	70 [2 3/4"]	135 [5 3/8"]
Symetrics	70 [2 3/4"]	135 [5 3/8"]
Tara	70 [2 3/4"]	135 [5 3/8"]
CL_2	93 [3 5/8"]	115 [4 1/2"]
MEM	93 [3 5/8"]	138 [5 3/8"]
CL_1	93 [3 5/8"]	138 [5 3/8"]
La Fleur Cl.	102 [4"]	144 [5 5/8"]

Codes & Standards

DIN 4109

EN 200

ISO 3822

Ü-Zeichen

VA-Zeichen

XP P 41-280

Certificates

LGA_19

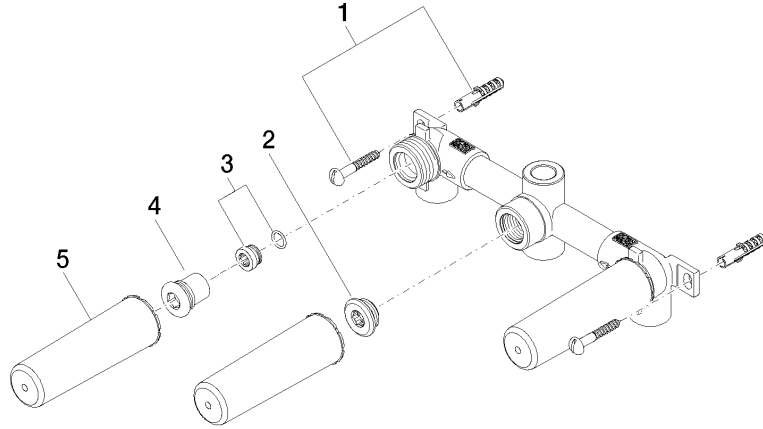
ACS_20 ACC LY

ETA_19

Concealed wall-mounted mixer centred spout -

35 707 970 90

Product version from 4/1/2022





Concealed wall-mounted mixer centred spout -

35 707 970 90

Spare parts list

Product version from 4/1/2022

No.	Item Number	Name	Quantity used	Delivery time
	04 30 31 024 01 90	fixing set	10	2