

# Concealed single-lever mixer with integrated shower connection with shower set without hand shower - Platinum

IMO

36 013 970



Fits: IMO, MEM, CL.1

- cover plate 80 x 80 mm
- metal shower hose 1750mm with integrated anti-twist protection
- slide bar
- Pipe diameter 18 mm
- WRAS 2011027

**This article does not include a hand shower!**

**Intrinsic protection against back flow.**

**Article cannot be extended, please check the depth of the installation location!**

This article does not include a hand shower!

Intrinsic protection against back flow.

Article cannot be extended, please check the depth of the installation location!

	Platinum	36 013 970-08
	Chrome	36 013 970-00
	Brushed Platinum	36 013 970-06
	Dark Chrome	36 013 970-19
	Brushed Durabronze (23kt Gold)	36 013 970-28
	Matte Black	36 013 970-33
	Brushed Champagne (22kt Gold)	36 013 970-46
	Champagne (22kt Gold)	36 013 970-47
	Brushed Chrome	36 013 970-93
	Brushed Dark Platinum	36 013 970-99

## Required miscellaneous

	<b>Concealed wall mounting -</b> •max. recess depth 103 mm •min. recess depth 78 mm	35 003 970 00
--	---	---------------

## Required miscellaneous

	<b>Hand shower FlowReduce - Platinum</b>	28 012 979-08 0010
--	--	--------------------

## Required miscellaneous

	<b>Hand shower - Platinum</b>	28 016 979-08
--	-------------------------------	---------------

## Required miscellaneous

	<b>Hand shower - Platinum</b>	28 018 979-08
--	-------------------------------	---------------

## Required miscellaneous

	<b>SERIES-VARIOUS Hand shower - Platinum</b>	28 029 979-08 0010
--	--	--------------------

## Required miscellaneous

	<b>SERIES-VARIOUS Hand shower - Platinum</b>	28 025 979-08 0010
--	--	--------------------

## Required miscellaneous

	<b>Hand shower FlowReduce - Platinum</b>	28 016 979-08 0010
--	--	--------------------

## Required miscellaneous

	<b>Hand shower - Platinum</b>	28 017 979-08
--	-------------------------------	---------------

## Required miscellaneous

	<b>Hand shower - Platinum</b>	28 012 979-08
--	-------------------------------	---------------

## Required miscellaneous

	<b>Hand shower FlowReduce - Platinum</b>	28 018 979-08 0010
--	--	--------------------

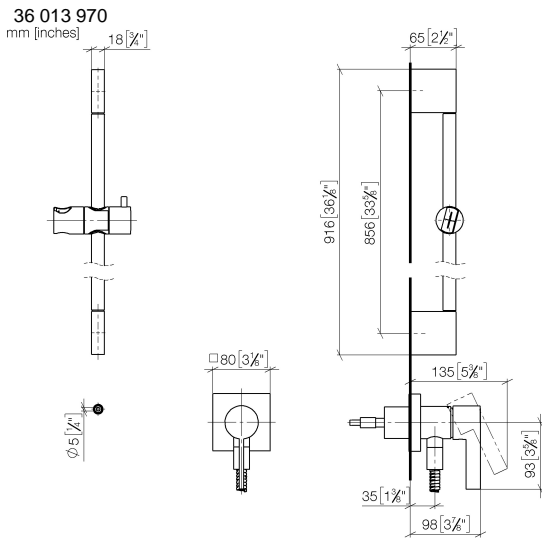
## Required miscellaneous

	<b>SERIES-VARIOUS Hand shower - Platinum</b>	28 029 979-08
--	--	---------------

## Required miscellaneous

	<b>SERIES-VARIOUS Hand shower - Platinum</b>	28 027 979-08 0010
--	--	--------------------

**Concealed single-lever mixer with integrated shower connection with shower set without hand shower - Platinum**



**Codes & Standards**

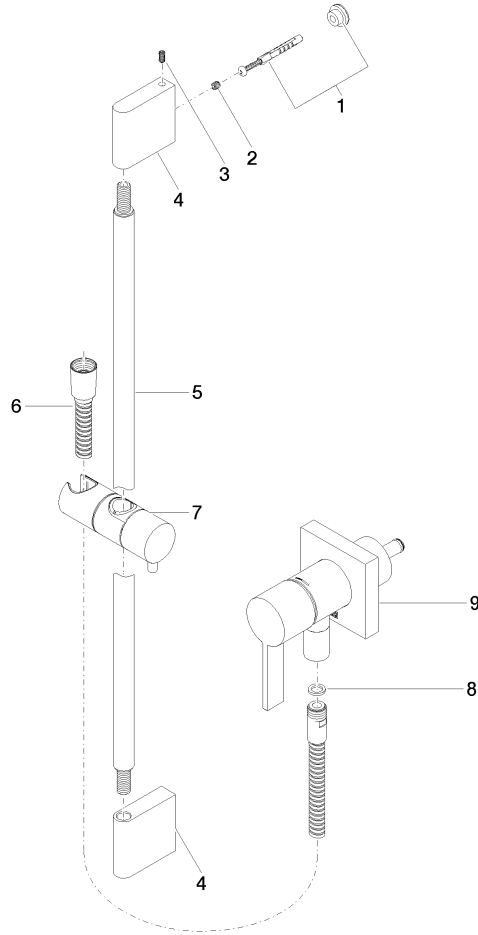
DIN 4109	EN 1717	ISO 3822	Scottish Water Byelaws
UK Water Supply Regulations	Ü-Zeichen		

**Certificates**

Belgaqua\_21-025-2 LGA\_29 WRAS\_2011

Concealed single-lever mixer with integrated shower connection with shower set without hand shower - Platinum

36 013 970





Concealed single-lever mixer with integrated shower connection with shower set without hand shower - Platinum

IMO

36 013 970

**Spare parts list**

No.	Item Number	Name	Quantity used	Delivery time
	05 17 20 726 02 90	fixing set	12	2