

36 112 970



Fits: IMO, LULU, TARA, LISSÉ, VAIA, META

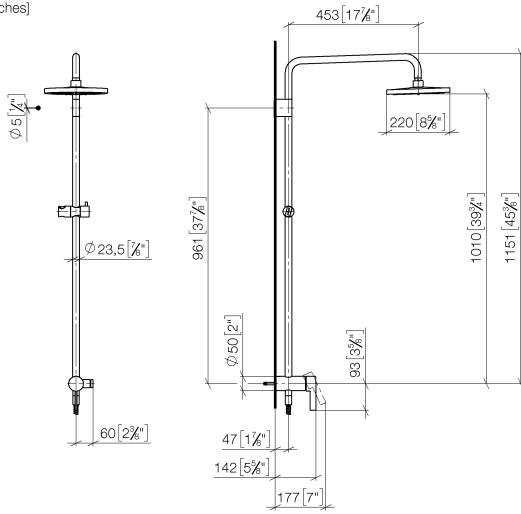
- shower with fixed riser projection 450mm
- overhead shower: rain flow
- rain shower Ø 220 mm
- rain shower with anti-scale system
- max. rainshower flow 14 l/min
- height of fittings up to rain shower (bottom edge) 1010mm
- height of fittings up to top edge of elbow 1150mm
- metal shower hose 1750mm with integrated anti-twist protection
- 1/2" connection
- slide bar
- Pipe diameter 23.5 mm
- automatic diverter for fixed-riser shower/hand shower
- quick clearing
- WRAS 2101043

This article does not include a hand shower!  
Intrinsic protection against back flow.

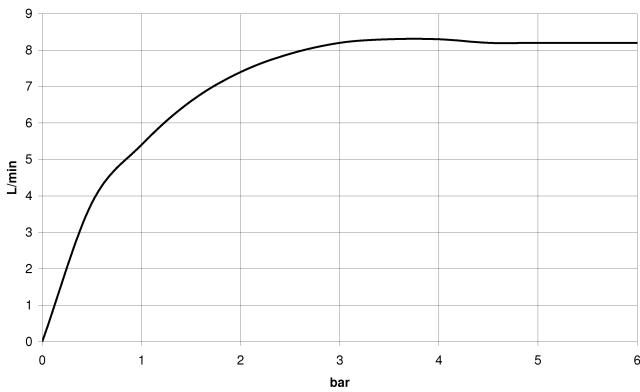
	Dark Chrome	36 112 970-19
	Chrome	36 112 970-00
	Brushed Platinum	36 112 970-06
	Platinum	36 112 970-08
	Brushed Light Gold	36 112 970-27
	Brushed Durabronze (23kt Gold)	36 112 970-28
	Matte Black	36 112 970-33
	Brushed Bronze	36 112 970-42
	Brushed Champagne (22kt Gold)	36 112 970-46
	Champagne (22kt Gold)	36 112 970-47
	Brushed Chrome	36 112 970-93
	Brushed Dark Platinum	36 112 970-99

36 112 970

mm [inches]  
1:10



Flow rate chart



Codes & Standards

DIN 4109

EN 817

ISO 3822

Ü-Zeichen



## Showerpipe with single-lever shower mixer without hand shower - Dark Chrome

---

IMO

36 112 970

### Certificates

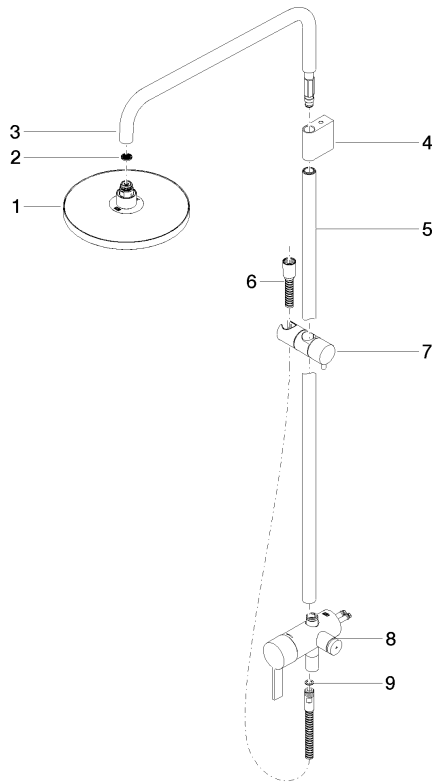
---

DVGW\_DW-  
6512DN0

LGA\_38

36 112 970

Parts for other  
finishes can be found  
here: [Chrome](#)





## Showerpipe with single-lever shower mixer without hand shower - Dark Chrome

---

IMO

36 112 970

### **Spare parts list**