

36 503 809



- cover plate Ø 123 mm
- temperature control handle with safety limit stop at 38°C
- thermostat cartridge
- WRAS 2011026

|  |                                |               |
|--|--------------------------------|---------------|
|  | Platinum                       | 36 503 809-08 |
|  | Chrome                         | 36 503 809-00 |
|  | Brushed Platinum               | 36 503 809-06 |
|  | Dark Chrome                    | 36 503 809-19 |
|  | Brushed Durabronze (23kt Gold) | 36 503 809-28 |
|  | Brushed Bronze                 | 36 503 809-42 |
|  | Brushed Champagne (22kt Gold)  | 36 503 809-46 |
|  | Champagne (22kt Gold)          | 36 503 809-47 |
|  | Brushed Dark Platinum          | 36 503 809-99 |

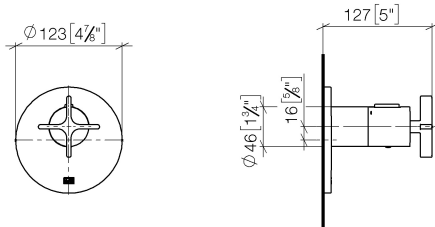
**Required miscellaneous**



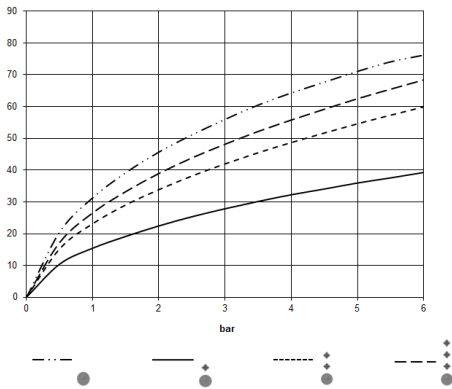
- xTOOL Concealed thermostat module without volume control -** 35 503 970 90
- max. recess depth 110 mm
  - min. recess depth 85 mm

36 503 809

mm [inches]



Flow rate chart



Codes & Standards

DIN 4109

ISO 3822

Scottish Water  
Byelaws

UK Water Supply  
Regulations

Ü-Zeichen



VAIA xTOOL Concealed thermostat without volume control 3/4" - Platinum

---

VAIA

36 503 809

Certificates

---

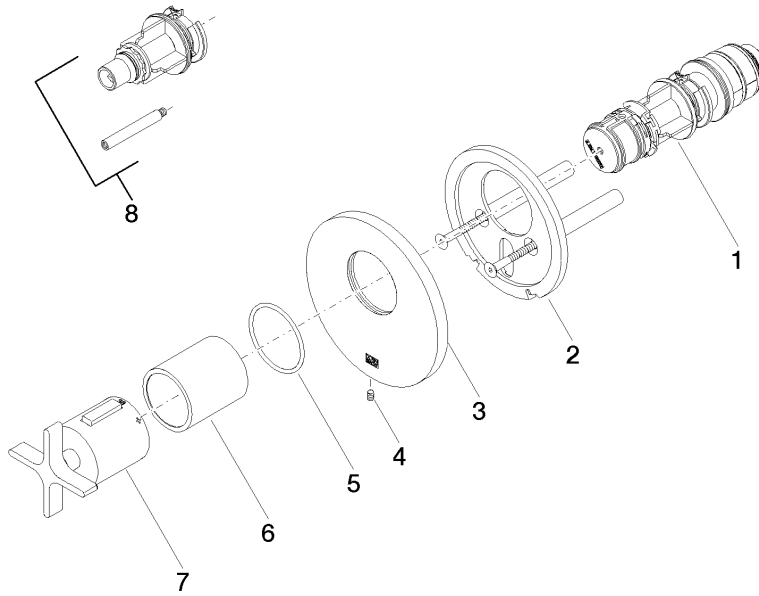
LGA\_29

LGA\_29

LGA\_29

WRAS\_2011

36 503 809





VAIA xTOOL Concealed thermostat without volume control 3/4" - Platinum

VAIA

36 503 809

**Spare parts list**

| No. | Item Number        | Name      | Quantity used | Delivery time |
|-----|--------------------|-----------|---------------|---------------|
|     | 90 15 02 063 00 90 | cartridge | 8             | 2             |