

**WATER FAN horizontal Concealed body spray - Dark Chrome**

IMO

36 512 979



- forceful flat water jet
- horizontal water jet
- cover plate 240 x 60 mm
- water jet adjustable
- 1/2" connection
- max. flow 10 l/min
- WRAS 2005003
- This product can help a building meet the requirements of Green Building Rating Systems, e.g. LEED®, BREEAM®, DGNB

Fits: IMO, LULU, MADISON, MEM, TARA, CL.1, LISSÉ, VAIA, META, CYO

	Dark Chrome	36 512 979-19
	Chrome	36 512 979-00
	Brushed Platinum	36 512 979-06
	Platinum	36 512 979-08
	Light Gold	36 512 979-26
	Brushed Light Gold	36 512 979-27
	Brushed Durabronze (23kt Gold)	36 512 979-28
	Matte Black	36 512 979-33
	Brushed Bronze	36 512 979-42
	Brushed Champagne (22kt Gold)	36 512 979-46
	Champagne (22kt Gold)	36 512 979-47
	Brushed Chrome	36 512 979-93
	Brushed Dark Platinum	36 512 979-99

**Required miscellaneous**

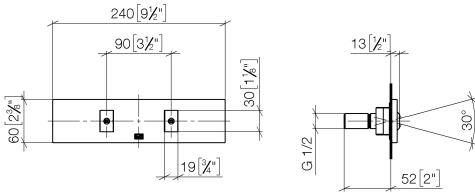
**Concealed wall installation box - 35 206 970 90**



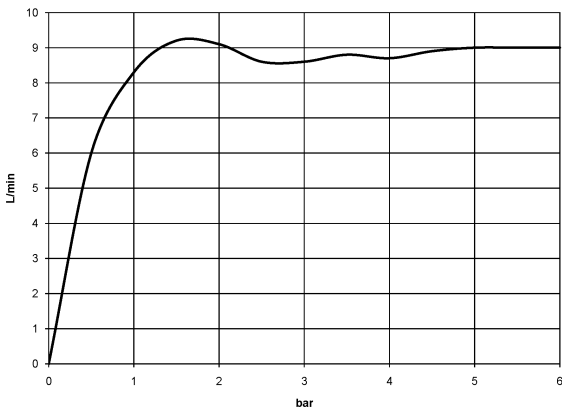
- max. recess depth 173 mm
- min. recess depth 100 mm

36 512 979

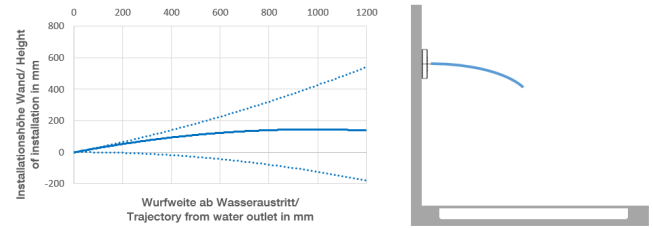
mm [inches]



**Flow rate chart**



**Trajectory diagram**



**Codes & Standards**

DIN 4109

ISO 3822

Ü-Zeichen



## WATER FAN horizontal Concealed body spray - Dark Chrome

---

IMO

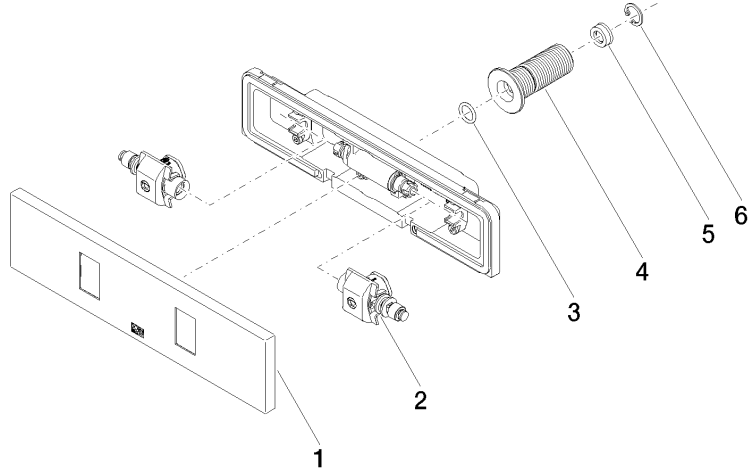
36 512 979

Certificates

---

LGA\_29

36 512 979





## WATER FAN horizontal Concealed body spray - Dark Chrome

---

IMO

36 512 979

### **Spare parts list**