

**WATER FAN horizontal Concealed body spray - Brushed Chrome**

IMO

36 512 979



- forceful flat water jet
- horizontal water jet
- cover plate 240 x 60 mm
- water jet adjustable
- 1/2" connection
- max. flow 10 l/min
- WRAS 2005003
- This product can help a building meet the requirements of Green Building Rating Systems, e.g. LEED®, BREEAM®, DGNB

Fits: IMO, LULU, MADISON, MEM, TARA, CL.1, LISSÉ, VAIA, META, CYO

	Brushed Chrome	36 512 979-93
	Chrome	36 512 979-00
	Brushed Platinum	36 512 979-06
	Platinum	36 512 979-08
	Dark Chrome	36 512 979-19
	Light Gold	36 512 979-26
	Brushed Light Gold	36 512 979-27
	Brushed Durabronze (23kt Gold)	36 512 979-28
	Matte Black	36 512 979-33
	Brushed Bronze	36 512 979-42
	Brushed Champagne (22kt Gold)	36 512 979-46
	Champagne (22kt Gold)	36 512 979-47
	Brushed Dark Platinum	36 512 979-99

**Required miscellaneous**

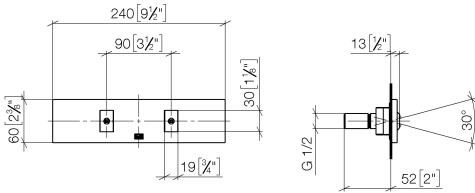
**Concealed wall installation box - 35 206 970 90**

- max. recess depth 175 mm
- min. recess depth 100 mm



36 512 979

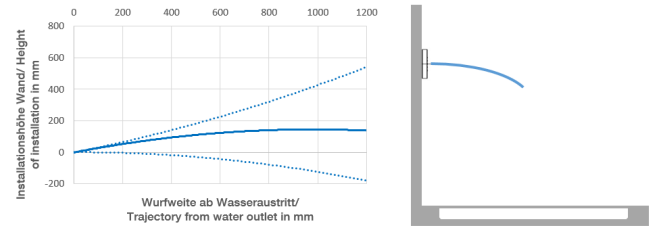
mm [inches]



**Flow rate chart**



**Trajectory diagram**



**Codes & Standards**

DIN 4109

ISO 3822

Scottish Water  
Byelaws

UK Water Supply  
Regulations

**Ü-Zeichen**



WATER FAN horizontal Concealed body spray - Brushed Chrome

---

IMO

36 512 979

Certificates

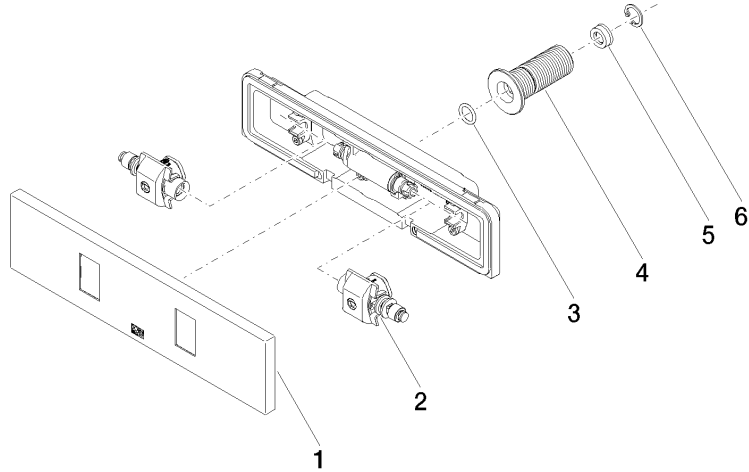
---

LGA\_29

WRAS\_2005

36 512 979

Product version from 4/1/2024





WATER FAN horizontal Concealed body spray - Brushed Chrome

IMO

36 512 979

**Spare parts list**

**Product version from 4/1/2024**

No.	Item Number	Name	Quantity used	Delivery time
	90 27 99 002 00-93	insert	6	20