

36 517 979



- HORIZONTAL RAIN, max. flow rate 6 l/min (at 3 bar)
- with anti-scale system
- cover plate 240 x 60 mm
- 1/2" connection
- This product can help a building meet the requirements of Green Building Rating Systems, e.g. LEED®, BREEAM®, DGNB
- WRAS 1304001

Fits: IMO, LULU, MADISON, MEM, TARA, CL.1, LISSÉ, VAIA, META, CYO

|  |                                |               |
|--|--------------------------------|---------------|
|    | Matte Black                    | 36 517 979-33 |
|    | Chrome                         | 36 517 979-00 |
|    | Brushed Platinum               | 36 517 979-06 |
|    | Platinum                       | 36 517 979-08 |
|    | Dark Chrome                    | 36 517 979-19 |
|    | Light Gold                     | 36 517 979-26 |
|    | Brushed Light Gold             | 36 517 979-27 |
|    | Brushed Durabronze (23kt Gold) | 36 517 979-28 |
|    | Brushed Bronze                 | 36 517 979-42 |
|   | Brushed Champagne (22kt Gold)  | 36 517 979-46 |
|  | Champagne (22kt Gold)          | 36 517 979-47 |
|  | Brushed Chrome                 | 36 517 979-93 |
|  | Brushed Dark Platinum          | 36 517 979-99 |

**Required miscellaneous**

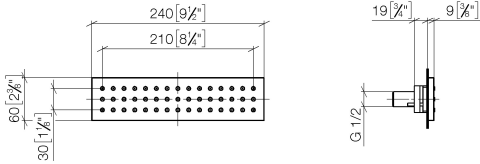
**Concealed wall installation box - 35 206 970 90**

- max. recess depth 173 mm
- min. recess depth 100 mm

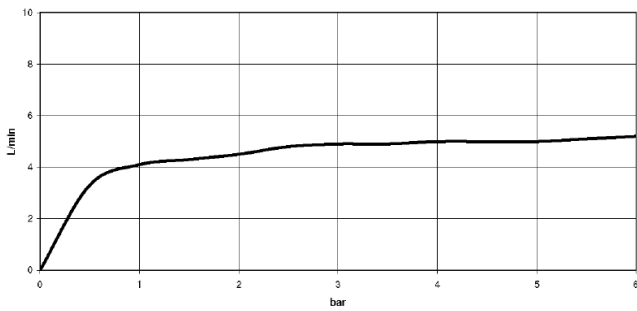


36 517 979

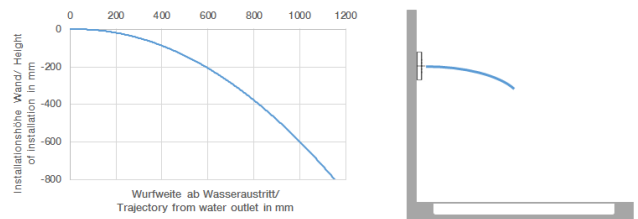
mm [inches]



**Flow rate chart**



**Trajectory diagram**



**Codes & Standards**

DIN 4109

ISO 3822

Scottish Water  
Byelaws

UK Water Supply  
Regulations

**Ü-Zeichen**



WATER BAR Concealed body spray FlowReduce - Matte Black

---

IMO

36 517 979

Certificates

---

LGA\_19

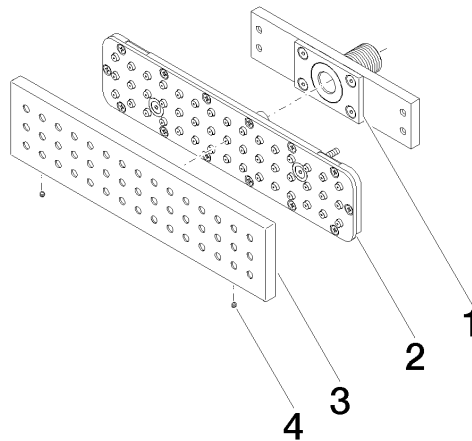
WRAS\_1304

36 517 979

Product version up to 5/15/2020

Product version from 5/15/2020 to 5/16/2020

**Product version from 5/16/2020**





# WATER BAR Concealed body spray FlowReduce - Matte Black

IMO

36 517 979

## Spare parts list

Product version up to 5/15/2020

Product version from 5/15/2020 to 5/16/2020

### Product version from 5/16/2020

| No. | Item Number        | Name       | Quantity used | Delivery time |
|-----|--------------------|------------|---------------|---------------|
|     | 90 11 02 137 00 90 | connection | 4             | 2             |