

MEM Wall valve clockwise closing 1/2" - Brushed Durabronz (23kt Gold)

MEM

36 607 782



- rosette 60 x 60 mm
- head part with cut-to-length spindle and sleeve
- WRAS 2011026, 2010066

	Brushed Durabronz (23kt Gold)	36 607 782-28
	Chrome	36 607 782-00
	Brushed Platinum	36 607 782-06
	Platinum	36 607 782-08
	Dark Chrome	36 607 782-19
	Brushed Champagne (22kt Gold)	36 607 782-46
	Champagne (22kt Gold)	36 607 782-47
	Brushed Chrome	36 607 782-93
	Brushed Dark Platinum	36 607 782-99

Required miscellaneous

Wall valve 1/2" - 35 607 970 90



- max. recess depth 150 mm
- min. recess depth 105 mm

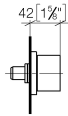
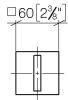


MEM Wall valve clockwise closing 1/2" - Brushed Durabronze (23kt Gold)

MEM

36 607 782

mm [inches]



Codes & Standards

DIN 4109

EN 1111

EN 200

ISO 3822

Scottish Water
Byelaws

UK Water Supply
Regulations

Ü-Zeichen

Certificates

DVGW_DW-
6501DN0

WRAS_2010

LGA_29

LGA_29

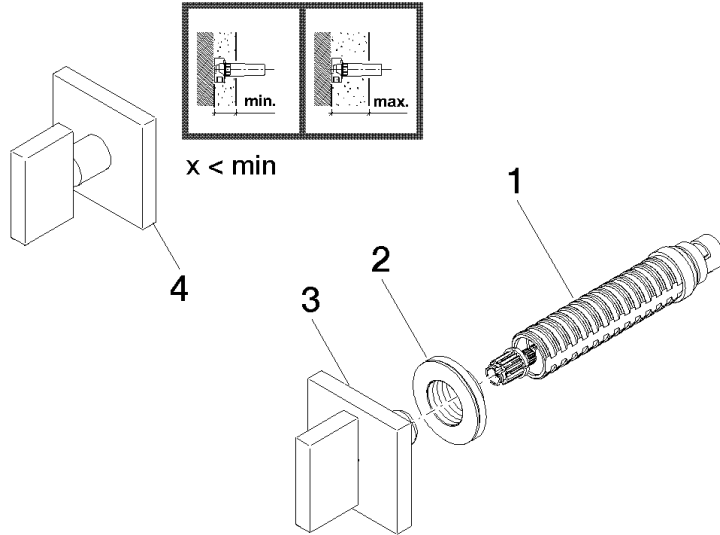
DVGW_DW-
6512DN0

WRAS_2011

36 607 782

Product version up to 10/14/2020

Product version from 10/14/2020





MEM Wall valve clockwise closing 1/2" - Brushed Durabronz (23kt Gold)

MEM

36 607 782

Spare parts list

Product version up to 10/14/2020

Product version from 10/14/2020

No.	Item Number	Name	Quantity used	Delivery time
	90 90 03 143 00 90	top	4	2