

**MEM Wall valve clockwise closing 1/2" - Brushed Chrome**

MEM

36 607 782



- rosette 60 x 60 mm
- head part with cut-to-length spindle and sleeve
- WRAS 2011026, 2010066

	Brushed Chrome	36 607 782-93
	Chrome	36 607 782-00
	Brushed Platinum	36 607 782-06
	Platinum	36 607 782-08
	Dark Chrome	36 607 782-19
	Brushed Durabronze (23kt Gold)	36 607 782-28
	Brushed Champagne (22kt Gold)	36 607 782-46
	Champagne (22kt Gold)	36 607 782-47
	Brushed Dark Platinum	36 607 782-99

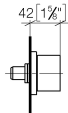
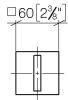


# MEM Wall valve clockwise closing 1/2" - Brushed Chrome

MEM

36 607 782

mm [inches]



## Codes & Standards

ASME A112.18.1	cUPC	DIN 4109	EN 1111
EN 200	ISO 3822	Scottish Water Byelaws	UK Water Supply Regulations

## Ü-Zeichen

## Certificates

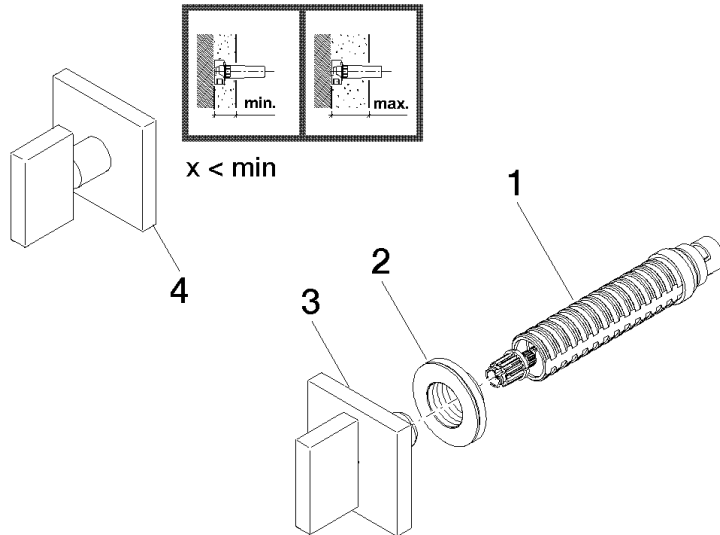
DVGW_DW-6501DN0	IAPMO_4976	WRAS_2010	LGA_29	LGA_29
DVGW_DW-6512DN0	WRAS_2011			

36 607 782

Product version up to 10/14/2020

**Product version from 10/14/2020**

Parts for other finishes can be found here: [Chrome](#)





# MEM Wall valve clockwise closing 1/2" - Brushed Chrome

MEM

36 607 782

## Spare parts list

Product version up to 10/14/2020

### Product version from 10/14/2020

No.	Item Number	Name	Quantity used	Delivery time
	90 90 03 143 00 90	top	4	2