

36 607 809



- rosette Ø 60 mm
- head part with cut-to-length spindle and sleeve
- WRAS 2011026, 2010066

|  |                                |               |
|--|--------------------------------|---------------|
|  | Brushed Champagne (22kt Gold)  | 36 607 809-46 |
|  | Chrome                         | 36 607 809-00 |
|  | Brushed Platinum               | 36 607 809-06 |
|  | Platinum                       | 36 607 809-08 |
|  | Dark Chrome                    | 36 607 809-19 |
|  | Brushed Durabronze (23kt Gold) | 36 607 809-28 |
|  | Brushed Bronze                 | 36 607 809-42 |
|  | Champagne (22kt Gold)          | 36 607 809-47 |
|  | Brushed Dark Platinum          | 36 607 809-99 |

**Required miscellaneous**



- Wall valve 1/2" -** 35 607 970 90
- max. recess depth 145 mm
  - min. recess depth 75 mm

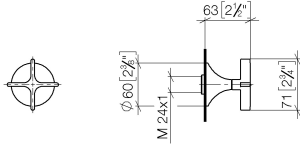


# VAIA Wall valve clockwise closing 1/2" - Brushed Champagne (22kt Gold)

VAIA

36 607 809

mm [inches]



## Codes & Standards

DIN 4109

EN 1111

EN 200

ISO 3822

Scottish Water  
Byelaws

UK Water Supply  
Regulations

Ü-Zeichen

## Certificates

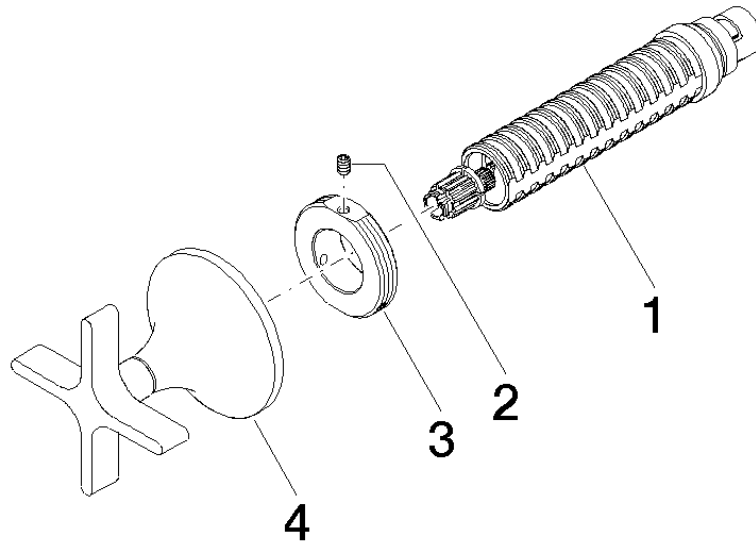
DVGW\_DW-  
6501DN0

WRAS\_2010

LGA\_29

DVGW\_DW-  
6512DN0

WRAS\_2011





VAIA Wall valve clockwise closing 1/2" - Brushed Champagne (22kt Gold)

VAIA

36 607 809

**Spare parts list**

| No. | Item Number        | Name | Quantity used | Delivery time |
|-----|--------------------|------|---------------|---------------|
|     | 90 90 03 143 00 90 | top  | 4             | 2             |