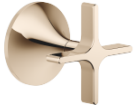


VAIA Wall valve clockwise closing 1/2" - Champagne (22kt Gold)

VAIA

36 607 809



- rosette Ø 60 mm
- head part with cut-to-length spindle and sleeve
- WRAS 2011026, 2010066

	Champagne (22kt Gold)	36 607 809-47
	Chrome	36 607 809-00
	Brushed Platinum	36 607 809-06
	Platinum	36 607 809-08
	Dark Chrome	36 607 809-19
	Brushed Durabronze (23kt Gold)	36 607 809-28
	Brushed Bronze	36 607 809-42
	Brushed Champagne (22kt Gold)	36 607 809-46
	Brushed Dark Platinum	36 607 809-99

Required miscellaneous



Wall valve 1/2" -

35 607 970 90

- max. recess depth 145 mm
- min. recess depth 75 mm

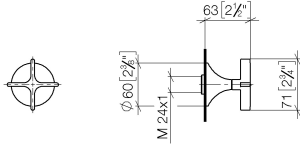


VAIA Wall valve clockwise closing 1/2" - Champagne (22kt Gold)

VAIA

36 607 809

mm [inches]



Codes & Standards

DIN 4109

EN 1111

EN 200

ISO 3822

Scottish Water
Byelaws

UK Water Supply
Regulations

Ü-Zeichen

Certificates

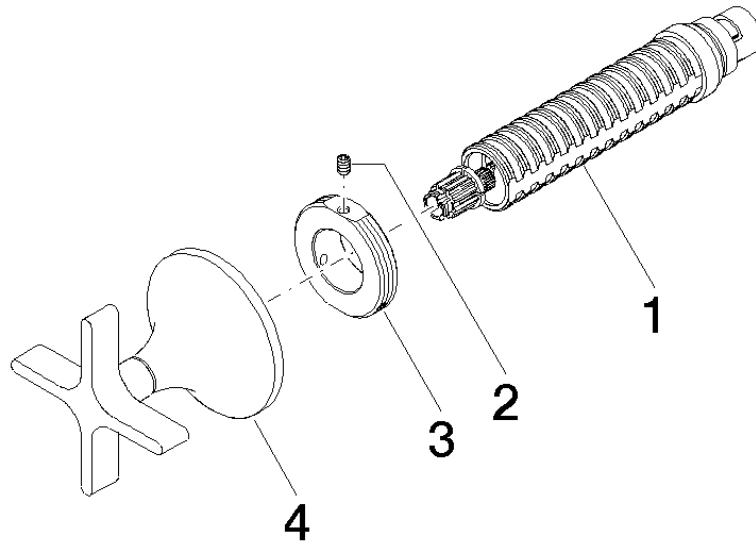
DVGW_DW-
6501DN0

WRAS_2010

LGA_29

DVGW_DW-
6512DN0

WRAS_2011





VAIA Wall valve clockwise closing 1/2" - Champagne (22kt Gold)

VAIA

36 607 809

Spare parts list

No.	Item Number	Name	Quantity used	Delivery time
	90 90 03 143 00 90	top	4	2